

SERVICE
MANUAL **1122 DC**



marantz

model **1122 DC**

Stereo Console Amplifier

TABLE OF CONTENTS

| SECTION | PAGE |
|---|------|
| 1. POWER AMPLIFIER ADJUSTMENT | 1 |
| 2. TEST EQUIPMENT REQUIRED FOR SERVICING | 1 |
| 3. VOLTAGE CONVERSION FOR EUROPE | 3 |
| 4. MAJOR COMPONENT LOCATIONS | 4 |
| 4.1 Front Panel Adjustment and Component Locations | 4 |
| 4.2 Main Chassis Component Locations (Top View) | 4 |
| 4.3 Rear Panel Adjustment and Component Locations | 5 |
| 5. DIAGRAM AND COMPONENT LOCATIONS | 6 |
| 5.1 Power Transformer Assembly (PN00) Schematic Diagram and Component Locations | 6 |
| 5.2 Input Terminal Assembly (PJ00) Schematic Diagram and Component Locations | 7 |
| 5.3 Mic Assembly (PV00) Schematic Diagram and Component Locations | 9 |
| 5.4 Phono Amp. & Selector SW. Assembly (P400) Schematic Diagram and Component Locations | 9 |
| 5.5 Power Supply Assembly (P850) Schematic Diagram and Component Locations | 12 |
| 5.6 Speaker SW. Assembly (PS00) Schematic Diagram and Component Locations | 13 |
| 5.7 Tone Amp. Assembly (PE00) Schematic Diagram and Component Locations | 14 |
| 5.8 Main Amp. Assembly (P700) Schematic Diagram and Component Locations | 17 |
| 6. BLOCK DIAGRAM | 21 |
| 7. CONNECTION DIAGRAM | 23 |
| 8. SCHEMATIC DIAGRAM | 25 |
| 9. EXPLODED MECHANICAL DIAGRAM | 27 |
| 9.1 Cabinet | 27 |
| 9.2 Chassis | 29 |
| 9.3 Rear Panel for U.S.A. & Canadian Models | 31 |
| 9.4 Rear Panel for European Model | 31 |
| 10. PACKING MATERIAL EXPLODED VIEW | 32 |
| 11. PARTS LIST | 33 |
| 12. TECHNICAL SPECIFICATIONS | 40 |

1. POWER AMPLIFIER ADJUSTMENT

1.1 DC-OFFSET Adjustment

Connect VTVM to J860 and J865 (or ground) and adjust left channel R739 until the meter indication reaches 0mV ($\pm 5mV$). Similarly, connect VTVM to J861 and J865 (or ground) and adjust right channel R740 until the meter indication reaches 0mV ($\pm 5mV$).

2. TEST EQUIPMENT REQUIRED FOR SERVICING

Table 1 lists the test equipment required for servicing the Model 1122DC Stereo Console Amplifier. The wattmeter, AC voltmeter, and variable autotransformer may be assembled as a test fixture as shown schematically in Figure 1. The load resistors and AC ammeter may be assembled into a second test fixture as shown in Figure 2.

| Item | Manufacturer and Model No. (or equivalent) | Use |
|--|---|--|
| Distortion Analyzer and Audio Oscillator | Sound Technolge, Model 1700B (NOTE: Less than 0.002 percent residual distortion is required.) | Measures distortion, voltage of amplifier output and sinewave source. |
| Oscilloscope | Tektronix, Model 503; Data, Model 555 | Waveform analysis and troubleshooting. |
| VTVM | RCA Senior Volt-Ohmyst, Model WV-98C | Voltage and resistance measurements. |
| AC Wattmeter | Simpson, Model 390 | Monitors primary power consumption of amplifier. |
| AC Ammeter (0 to 10 amps) | Commercial Grade | Monitors amplifier output under short circuit condition. |
| Line Voltmeter (0 to 150V AC) | Commercial Grade | Monitors potential of primary power to amplifier. |
| Variable Autotransformer (0 to 140V AC, 10 amps) | Powerstat, Model 116B | Adjusts level of primary power to amplifier. |
| Shorting Plug | Use phono plug with 600 ohms across center pin and shell. | Shorts amplifier input to eliminate noise pickup. |
| Power Supply Bleeder Resistor (10 ohms at 1W) | Commercial Grade | Discharges power supply filter capacitors prior to disassembly or resistance measurements. |
| Output Load Resistor ($8\Omega \pm 0.5\%$, 250W) | Commercial Grade | Provides 4-ohm load for amplifier output termination. |
| Output Load Resistor ($4\Omega \pm 0.5\%$, 250W) | Commercial Grade | Provides 8-ohm load for amplifier output termination. |
| Output Load Capacitor (0.5 mfd) | Mylar | Provides capacitive load for instability checks. |
| AC Power Control Box | Optional Item. Fabricate in accordance with Figure 1. | Monitors and controls primary power for amplifier. |
| Amplifier Output Load Box | Optional Item. Fabricate in accordance with Figure 2. | Provides various amplifier loads and can monitor shorted output. |

Table 1 Test Equipment Required for Servicing

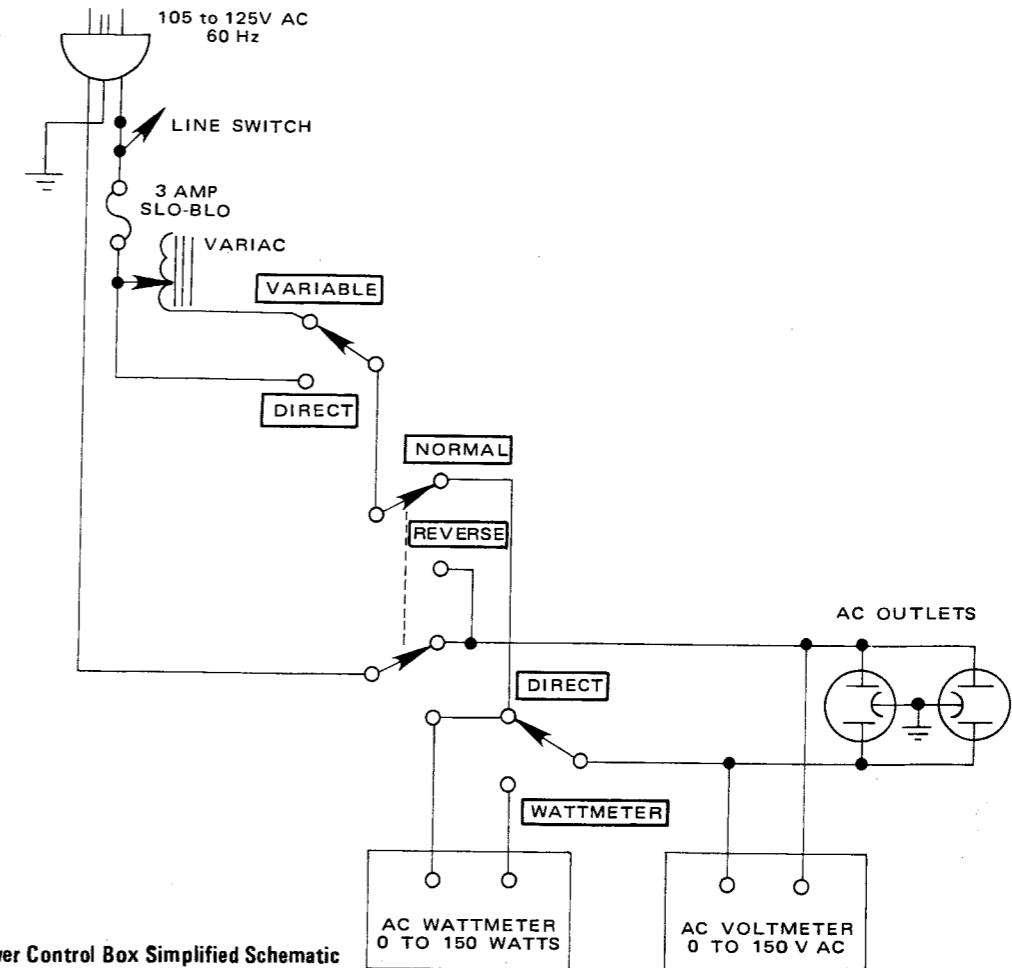


Figure 1. AC Power Control Box Simplified Schematic

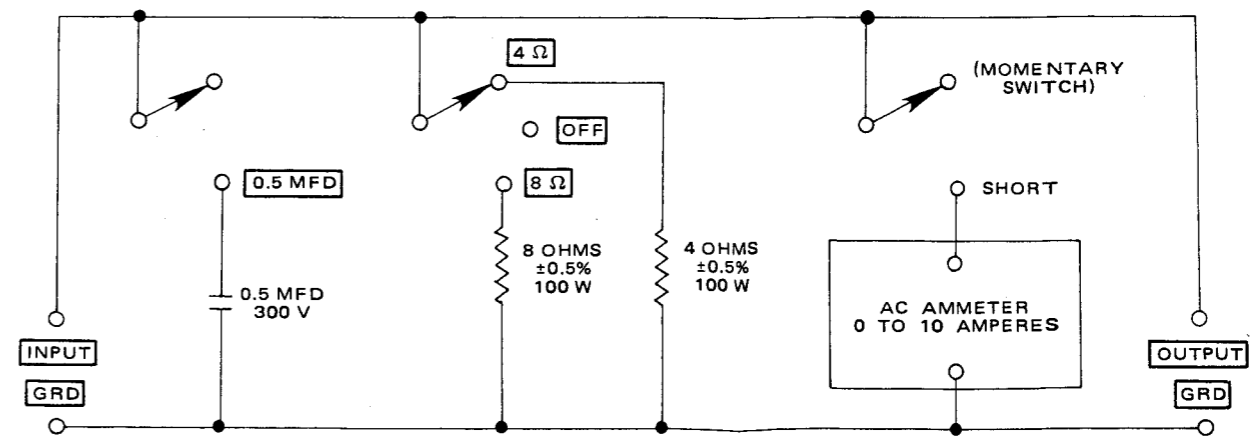


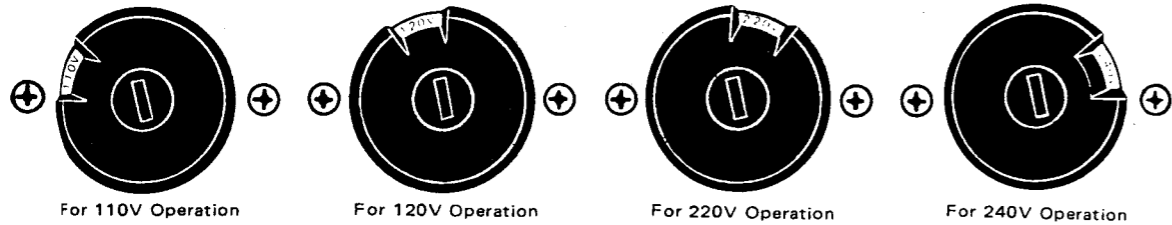
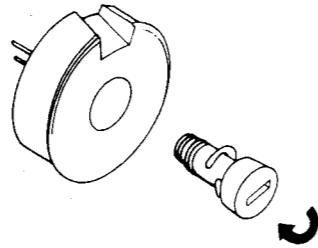
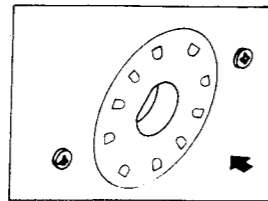
Figure 2. Amplifier Output Load Box Simplified Schematic

3. VOLTAGE CONVERSION

• EUROPEAN MODEL ONLY

This Model is equipped with a universal power transformer to permit operation at 110, 120, 220 and 240V AC 50/60 Hz. To convert the unit to the required voltage, set the plug as illustrated so that you can adjust the voltage as required.

CAUTION
DISCONNECT POWER SUPPLY CORD FROM AC OUTLET BEFORE CONVERTING VOLTAGE.



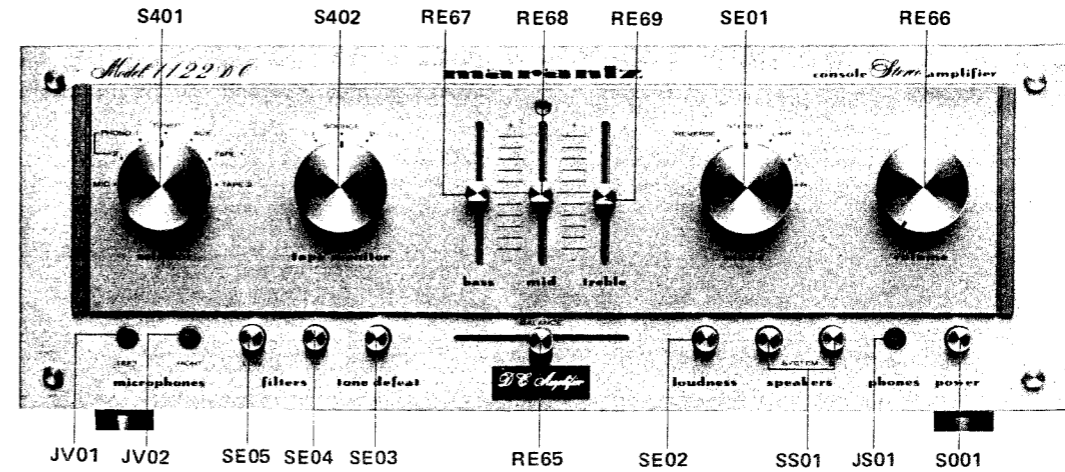
For 110V Operation

For 120V Operation

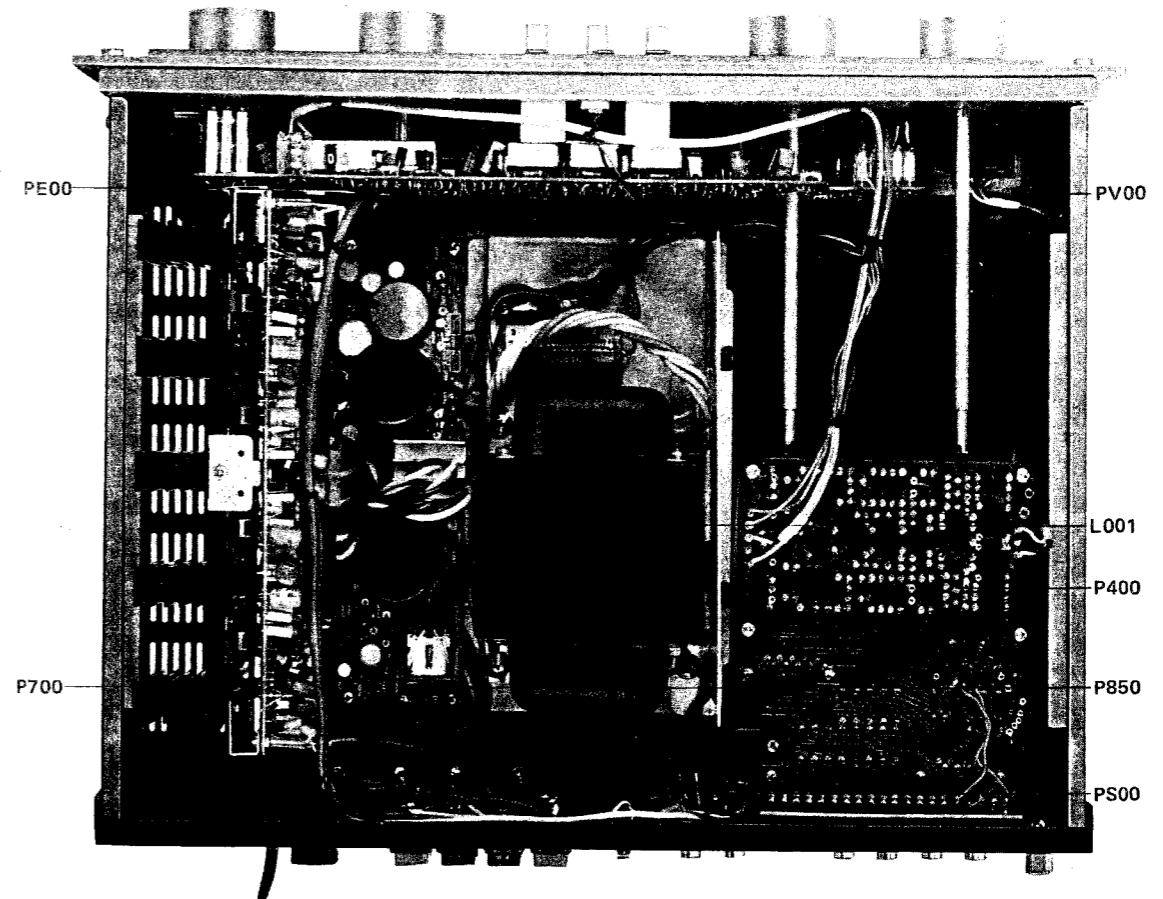
For 220V Operation

For 240V Operation

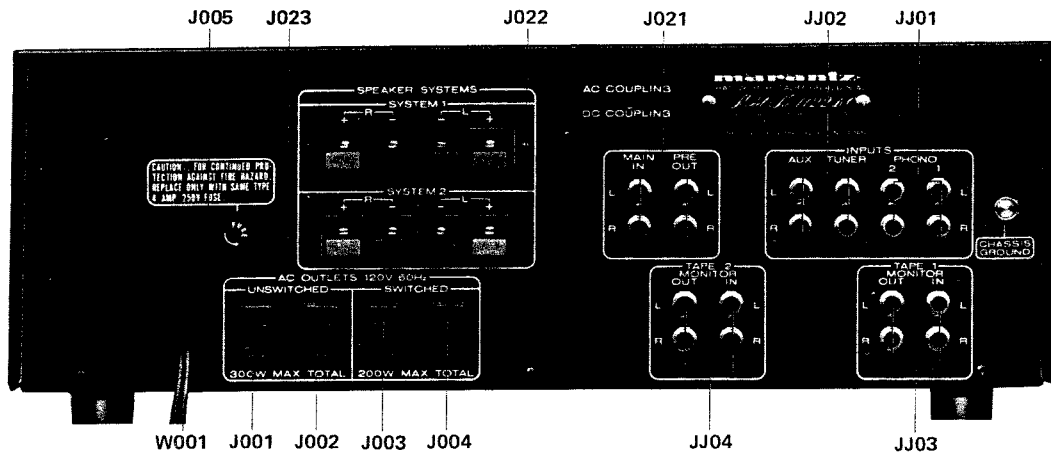
4.1 Front Panel Adjustment and Component Locations

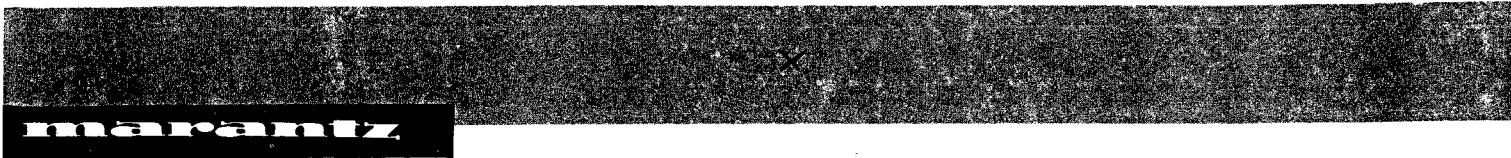


4.2 Main Chassis Component Locations (Top View)



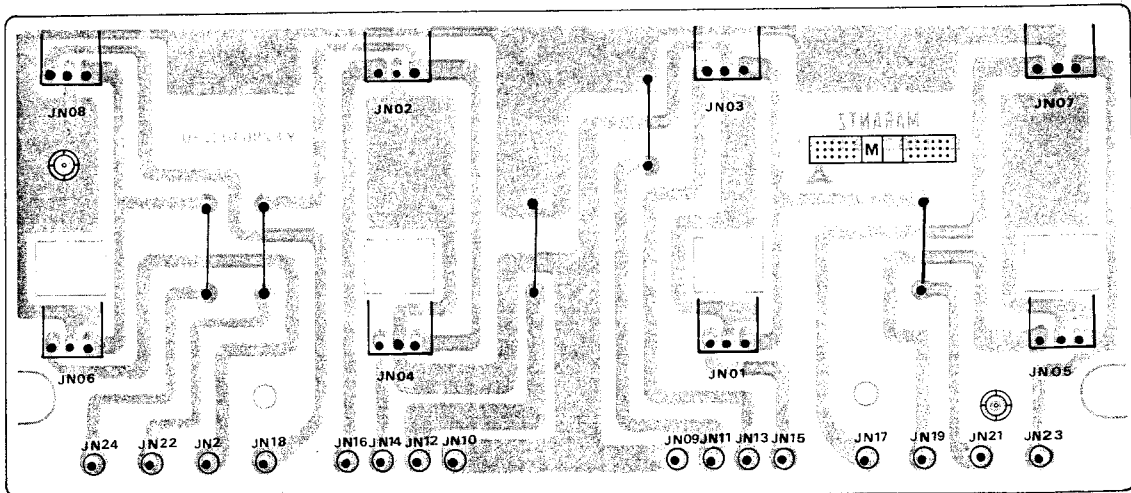
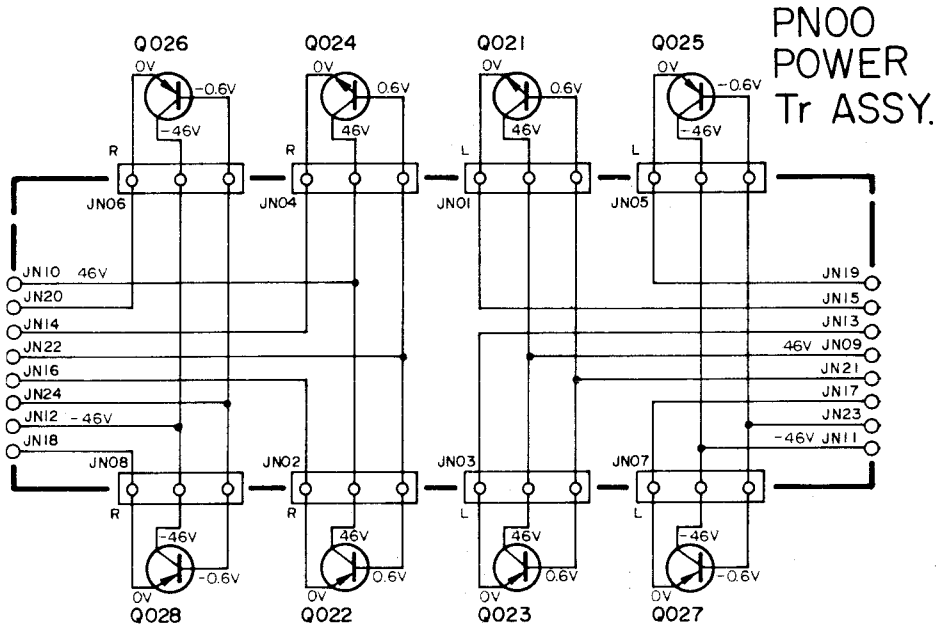
4.3 Rear Panel Adjustment and Component Locations





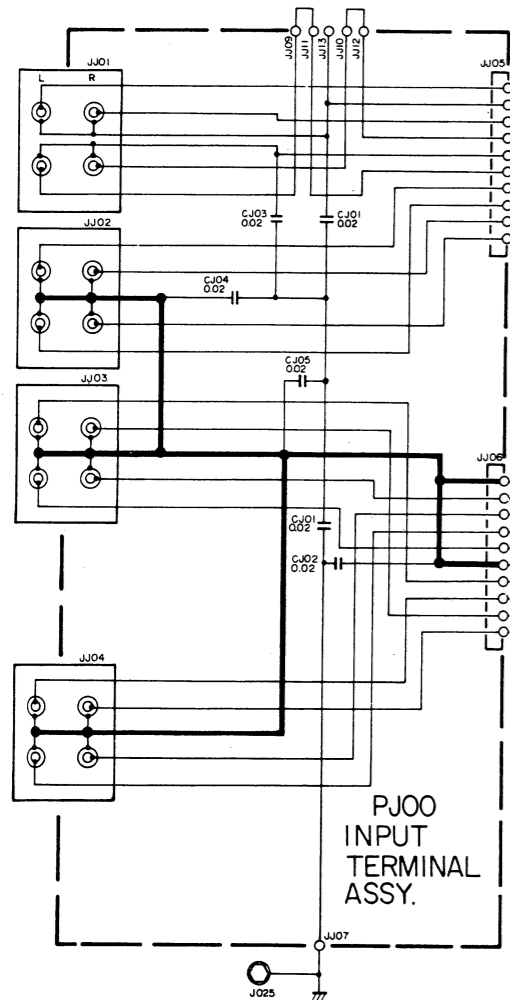
5. DIAGRAM AND COMPONENT LOCATIONS

5.1 Power Transformer Assembly (PN00) Schematic Diagram and Component Locations

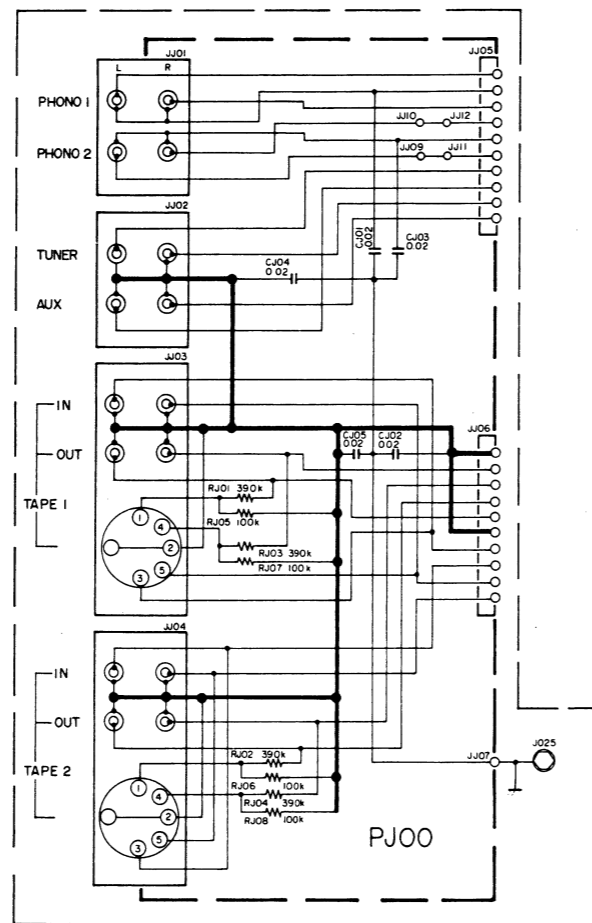


5.2 Input Terminal Assembly (PJ00) Schematic Diagram

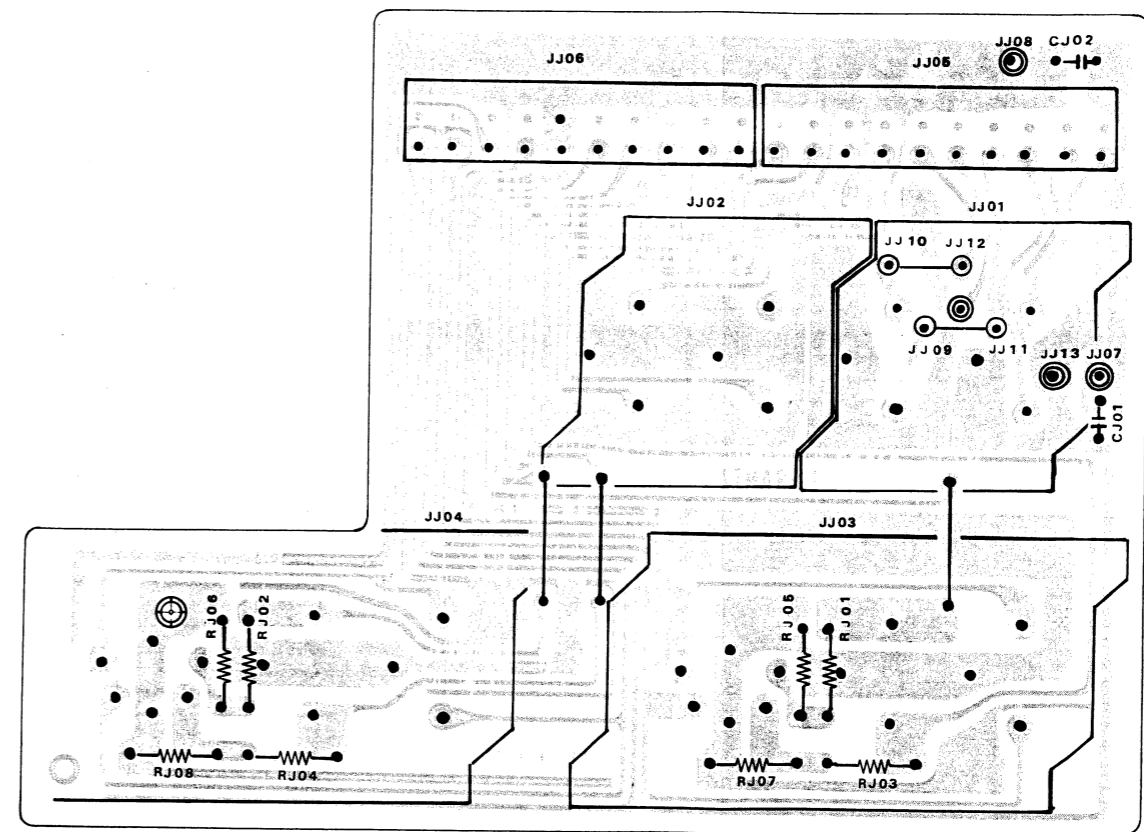
• Input Terminal Assembly (PJ00) Component Locations



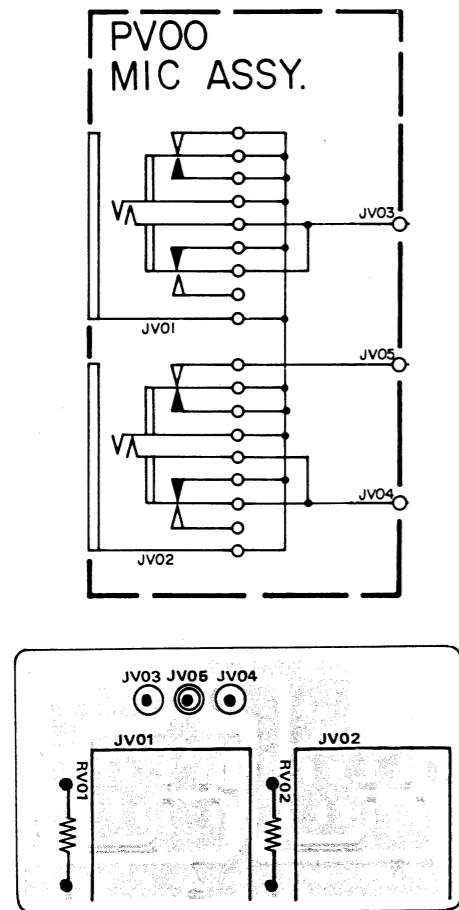
For U.S.A., Canada



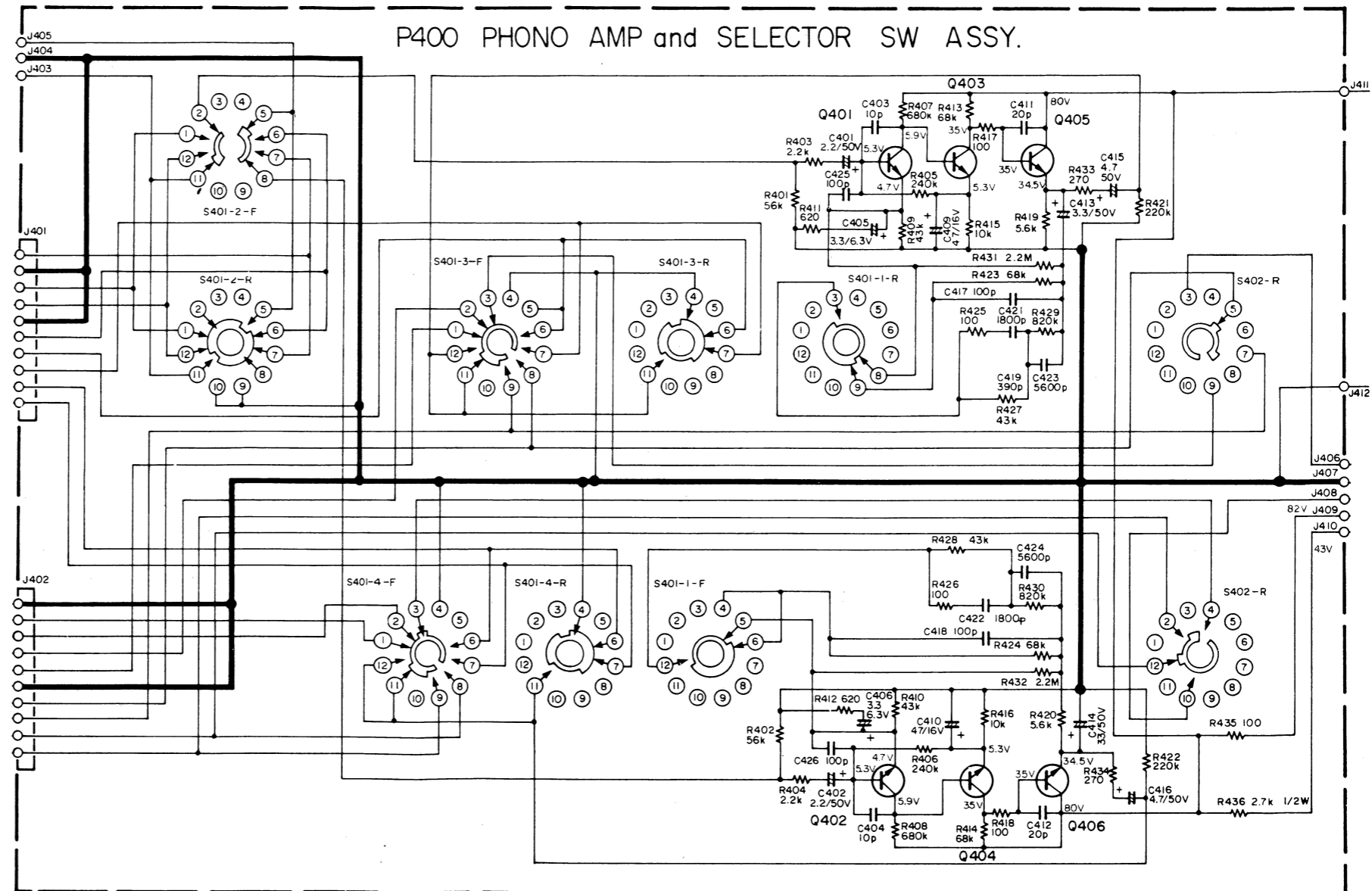
For Europe



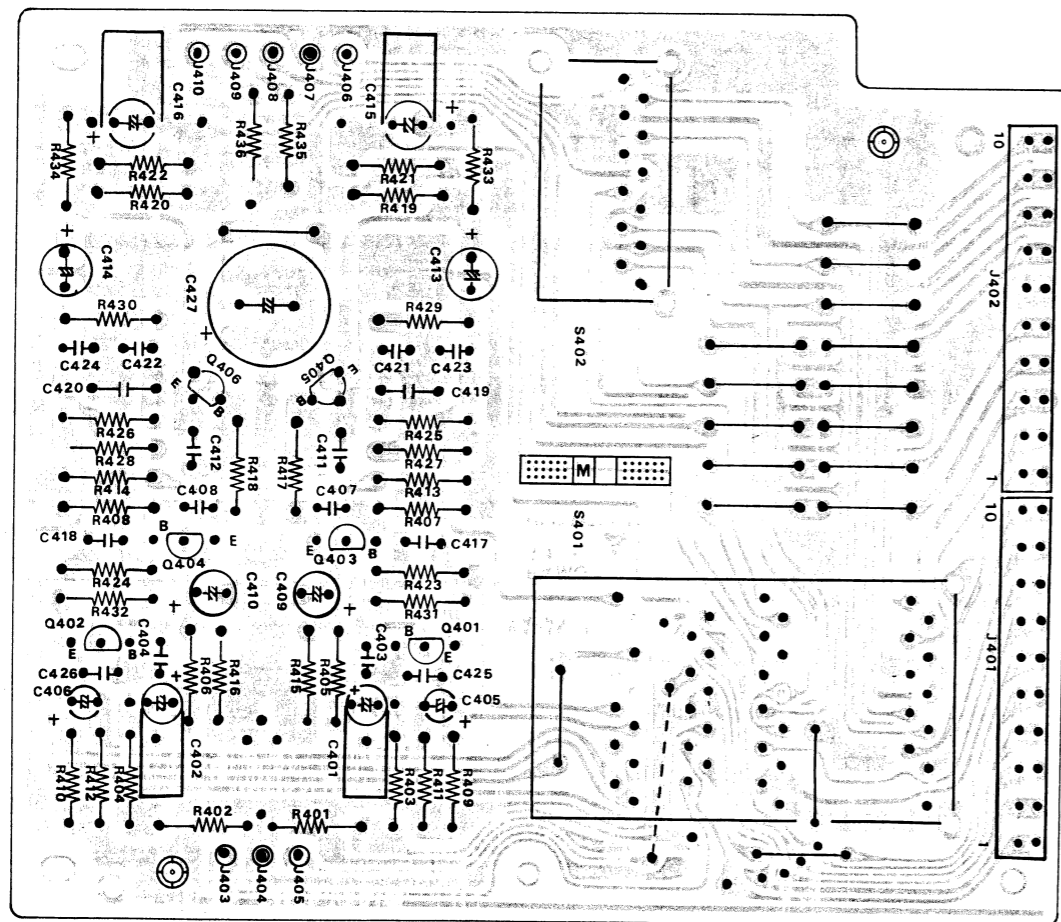
5.3 Mic Assembly (PV00) Schematic Diagram and Component Locations



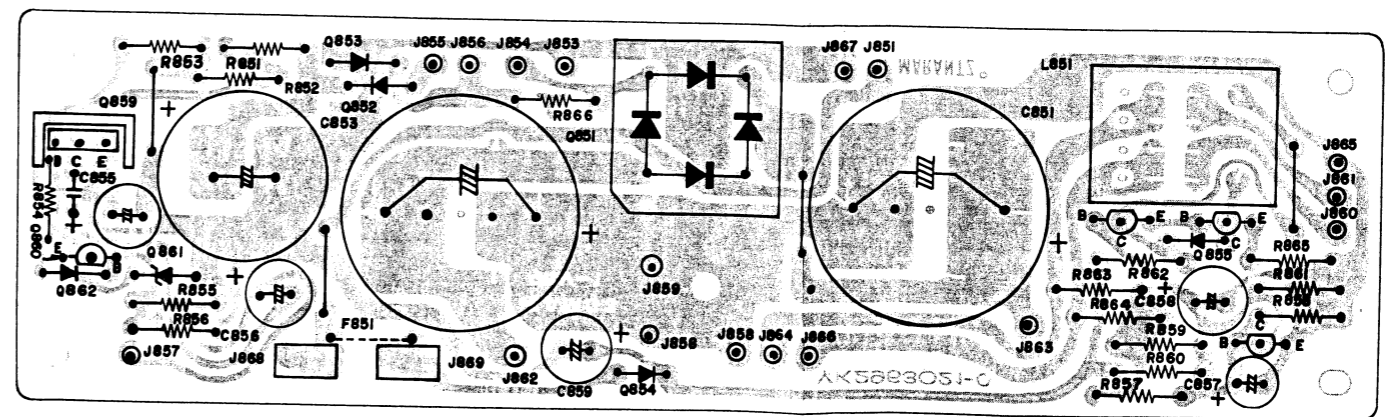
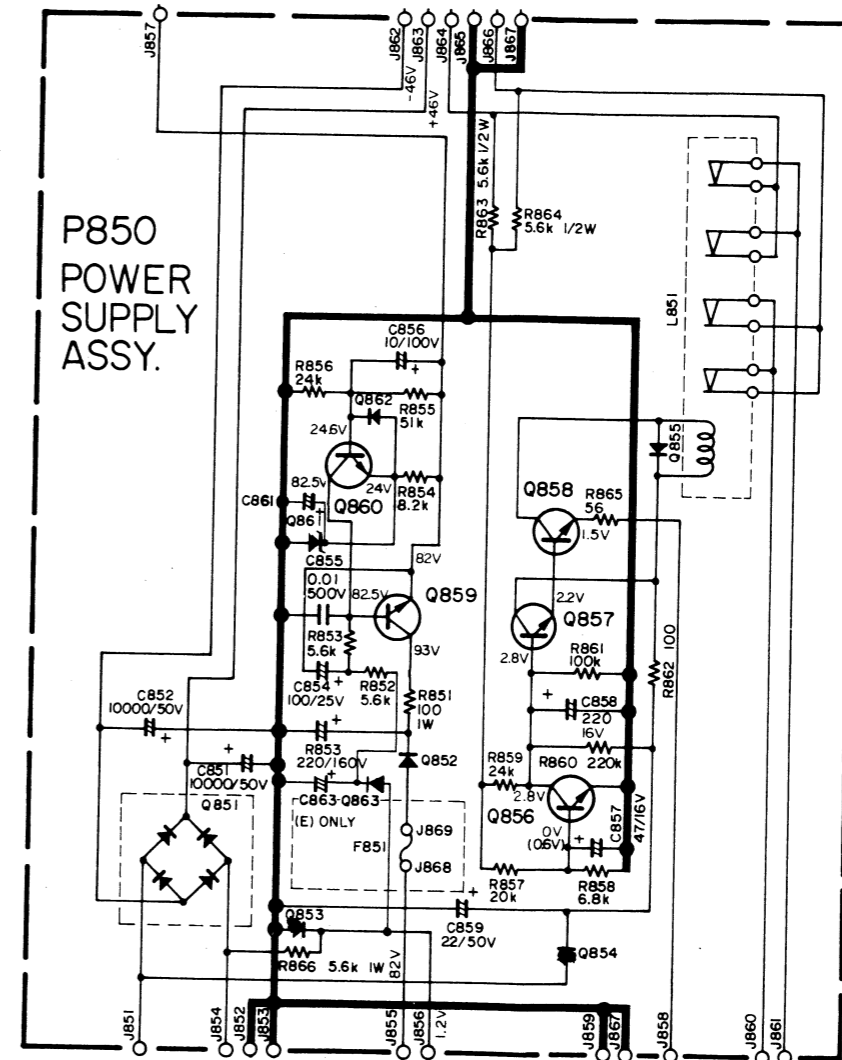
5.4 Phono Amp. & Selector SW. Assembly (P400) Schematic Diagram



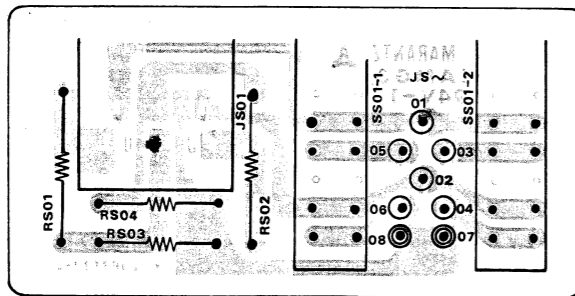
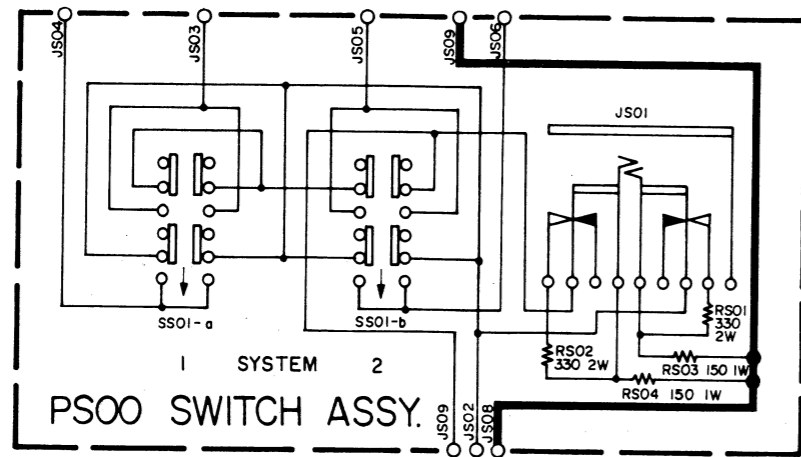
• Phono Amp. & Selector SW. Assembly (P400) Component Locations



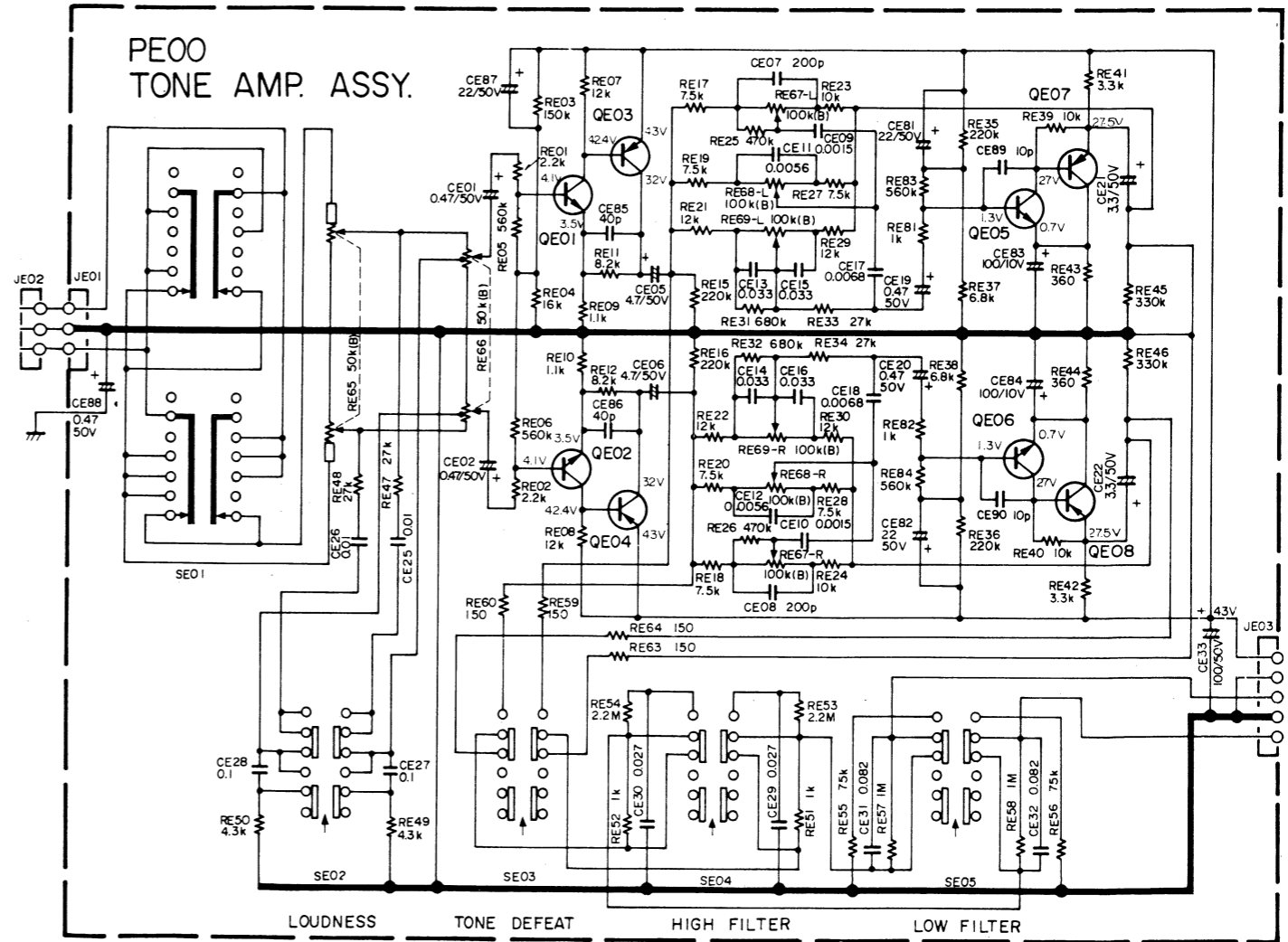
5.5 Power Supply Assembly (P850) Schematic Diagram and Component Locations



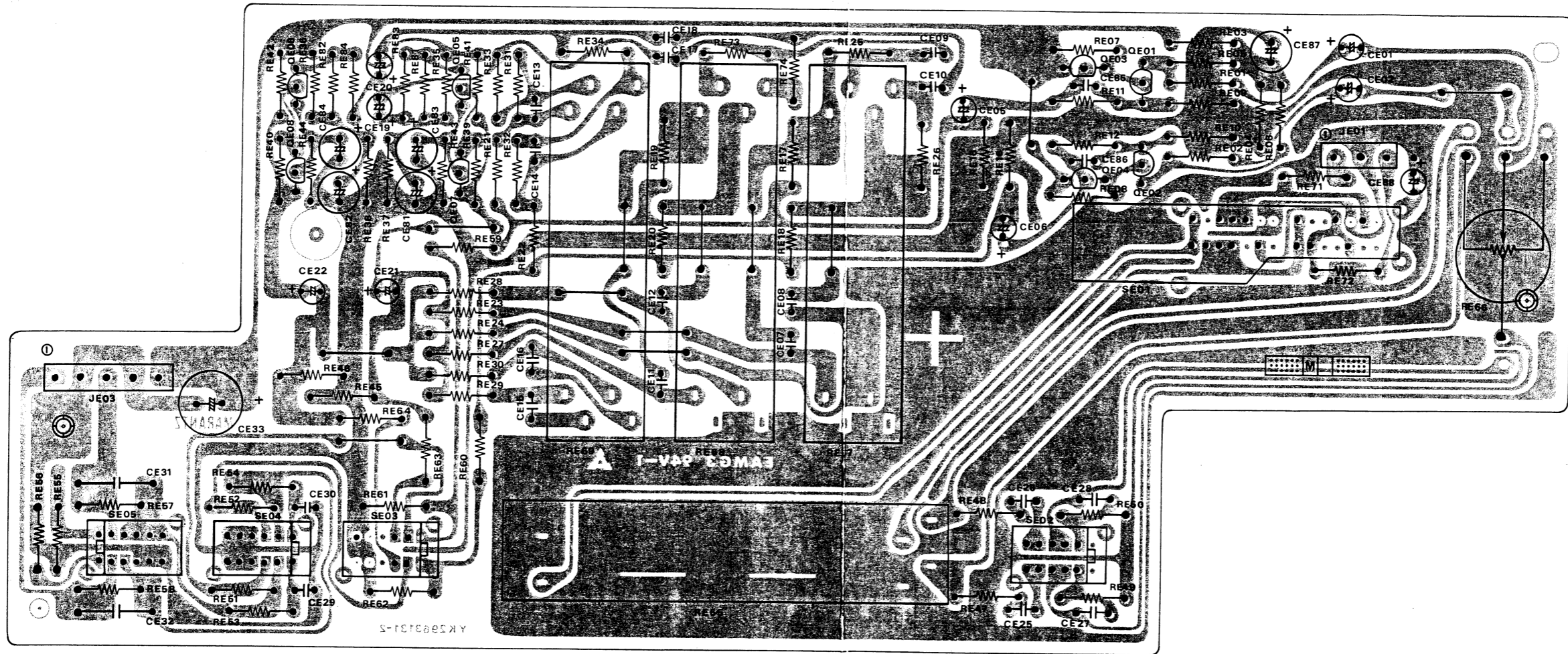
5.6 Speaker SW. Assembly (PS00) Schematic Diagram and Component Locations



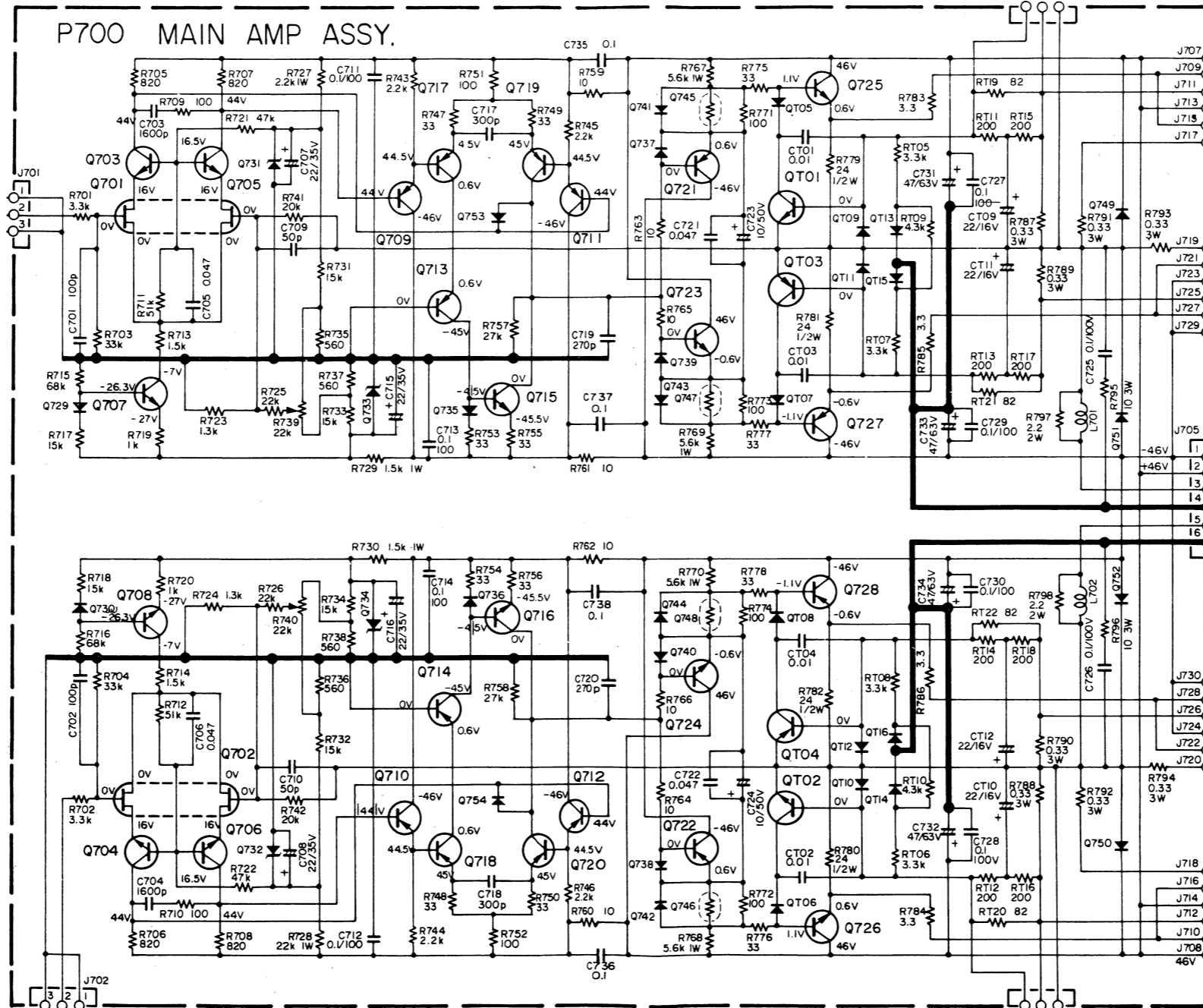
5.7 Tone Amp. Assembly (PE00) Schematic Diagram



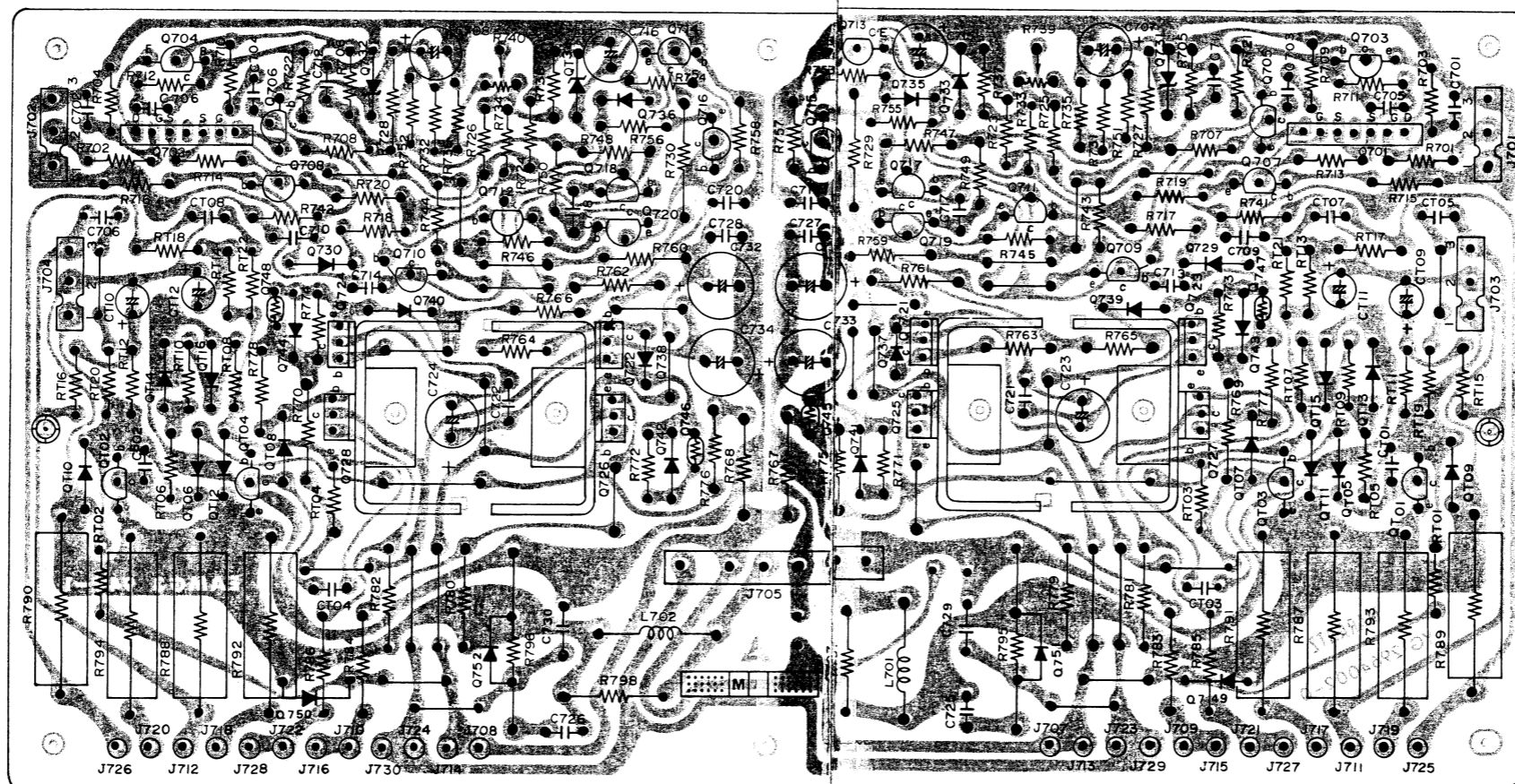
• Tone Amp. Assembly (PE00) Component Locations



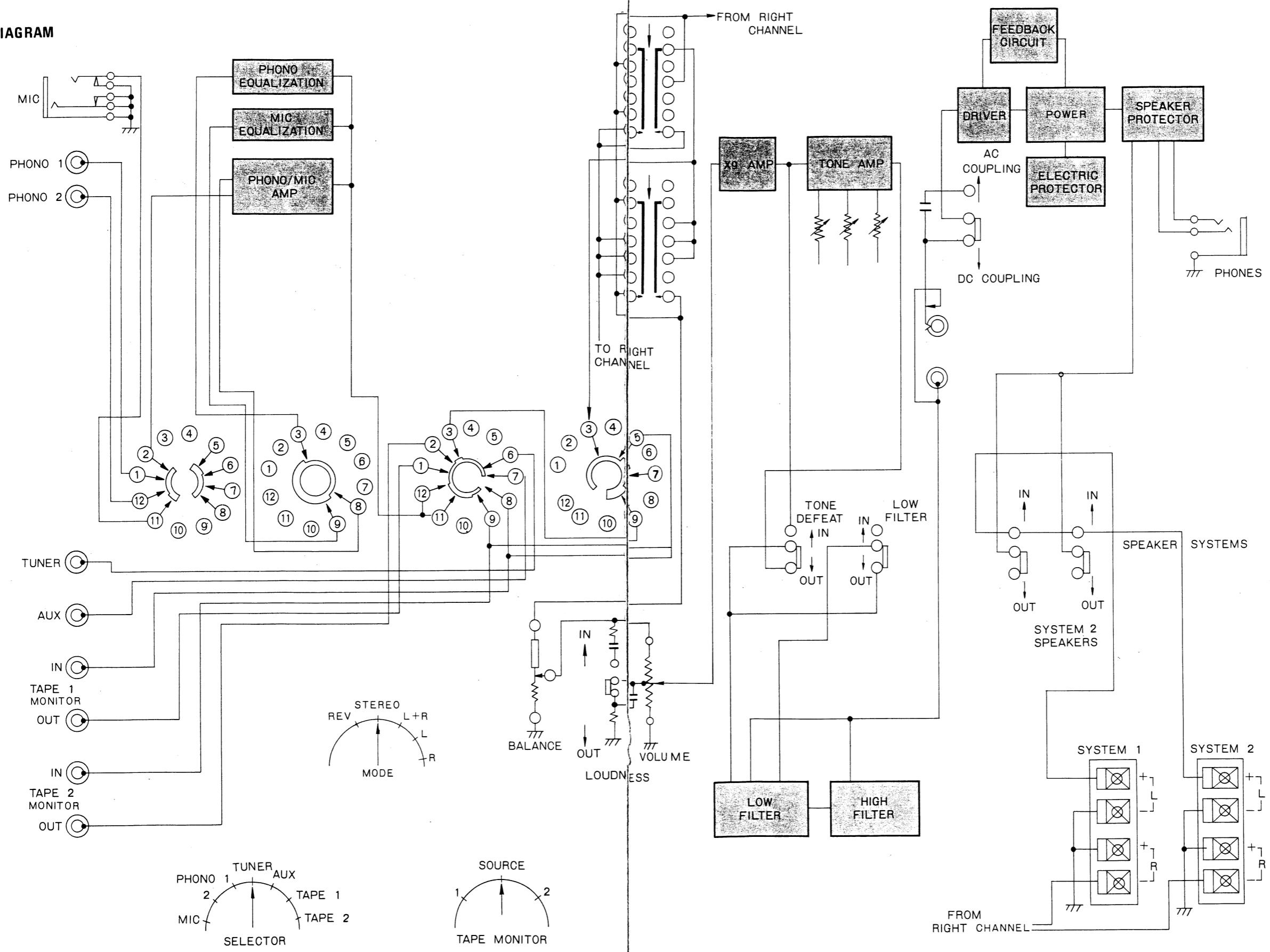
5.8 Main Amp. Assembly (P700) Schematic Diagram



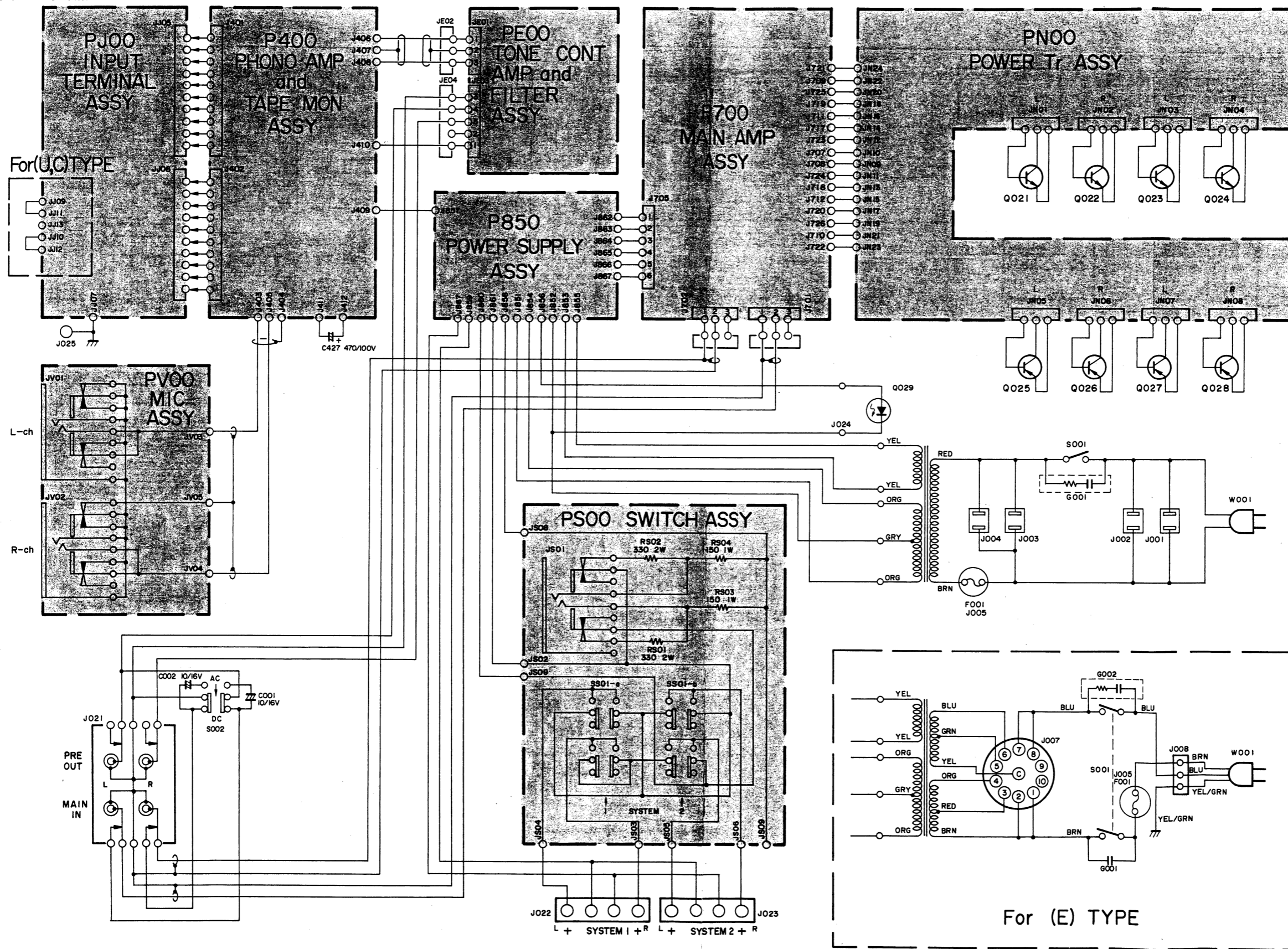
• Main Amp. Assembly (P700) Component Locations

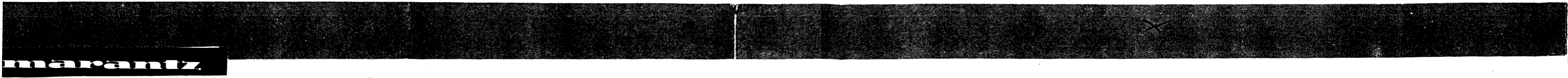


6. BLOCK DIAGRAM

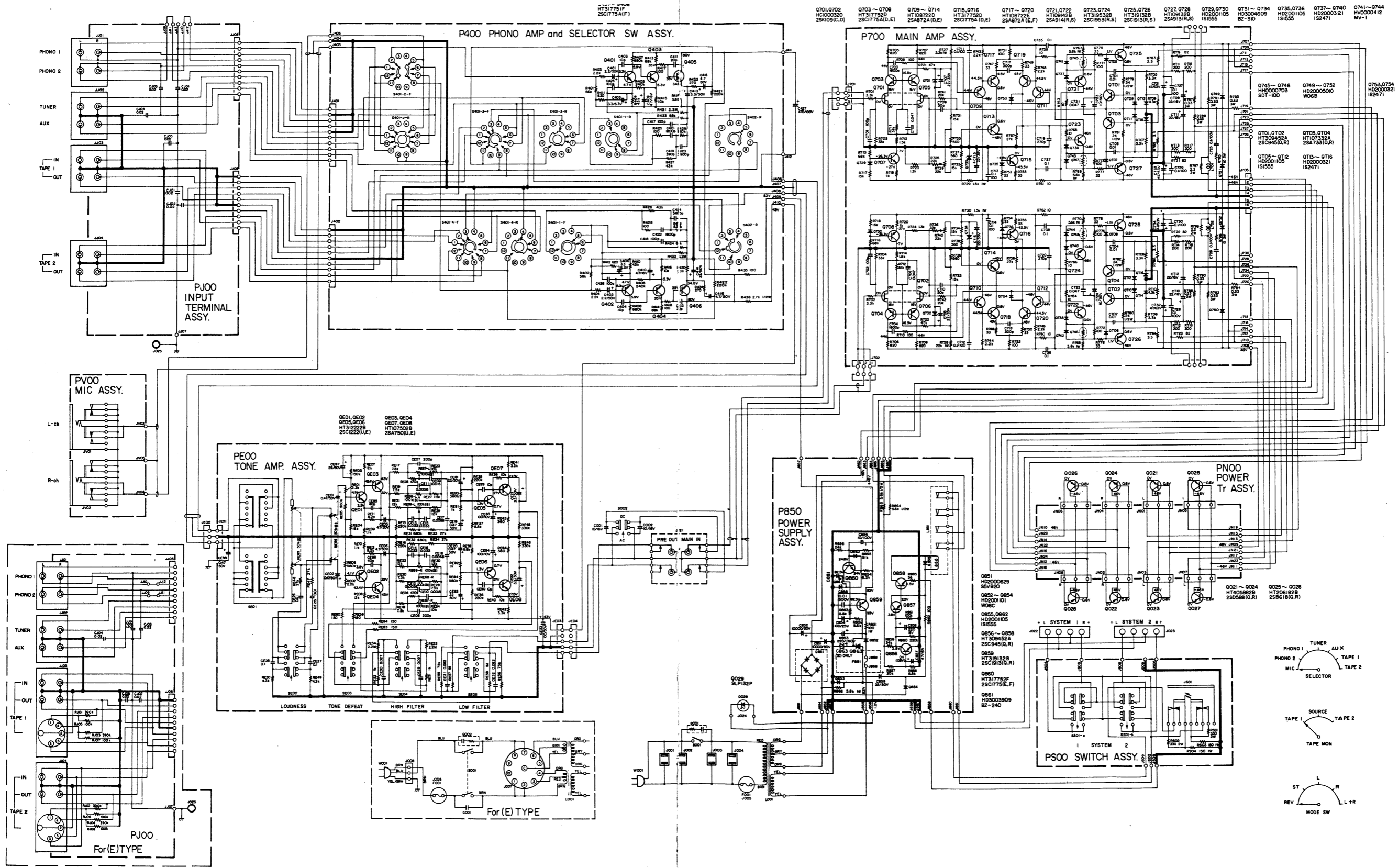


7. CONNECTION DIAGRAM



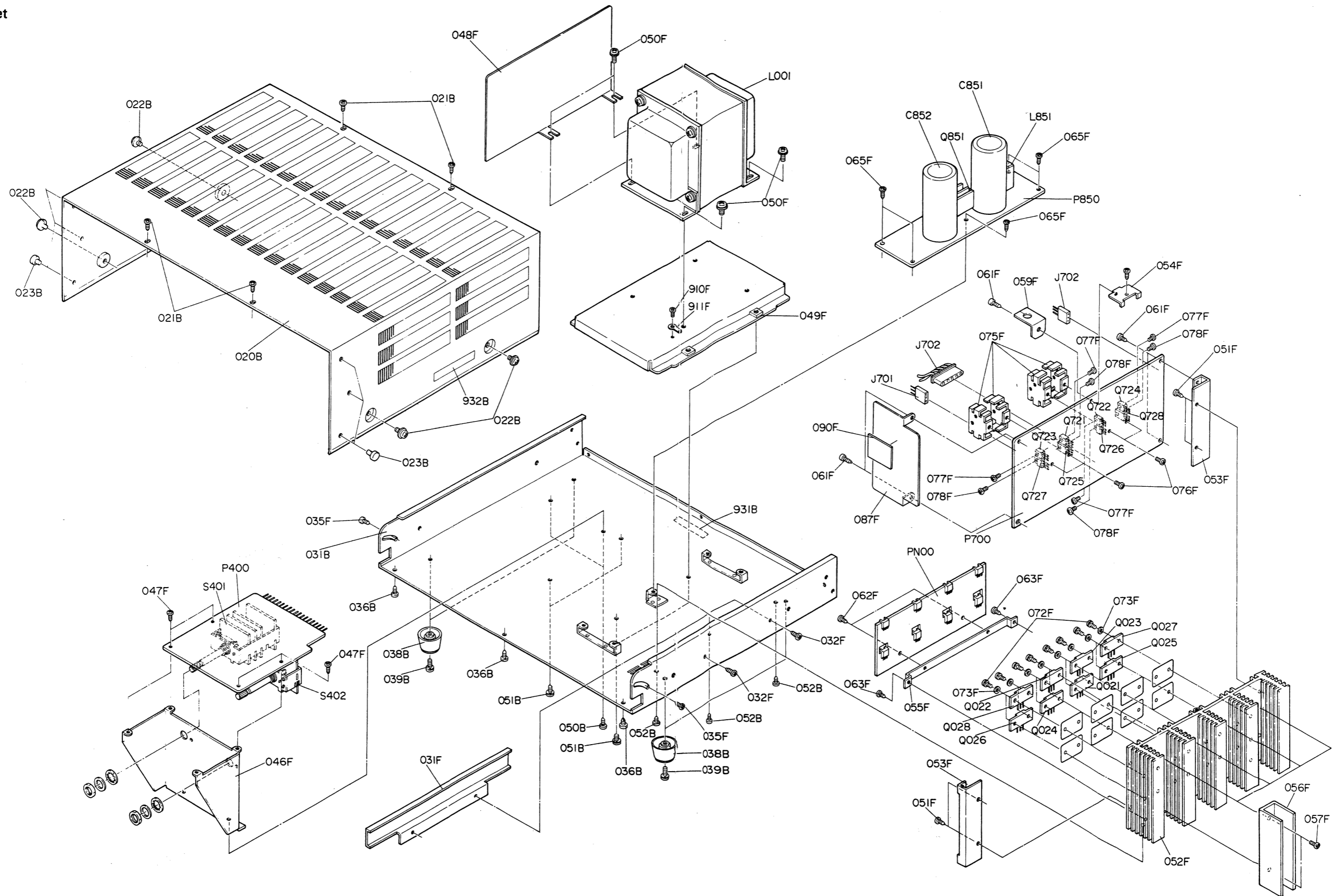


8. SCHEMATIC DIAGRAM



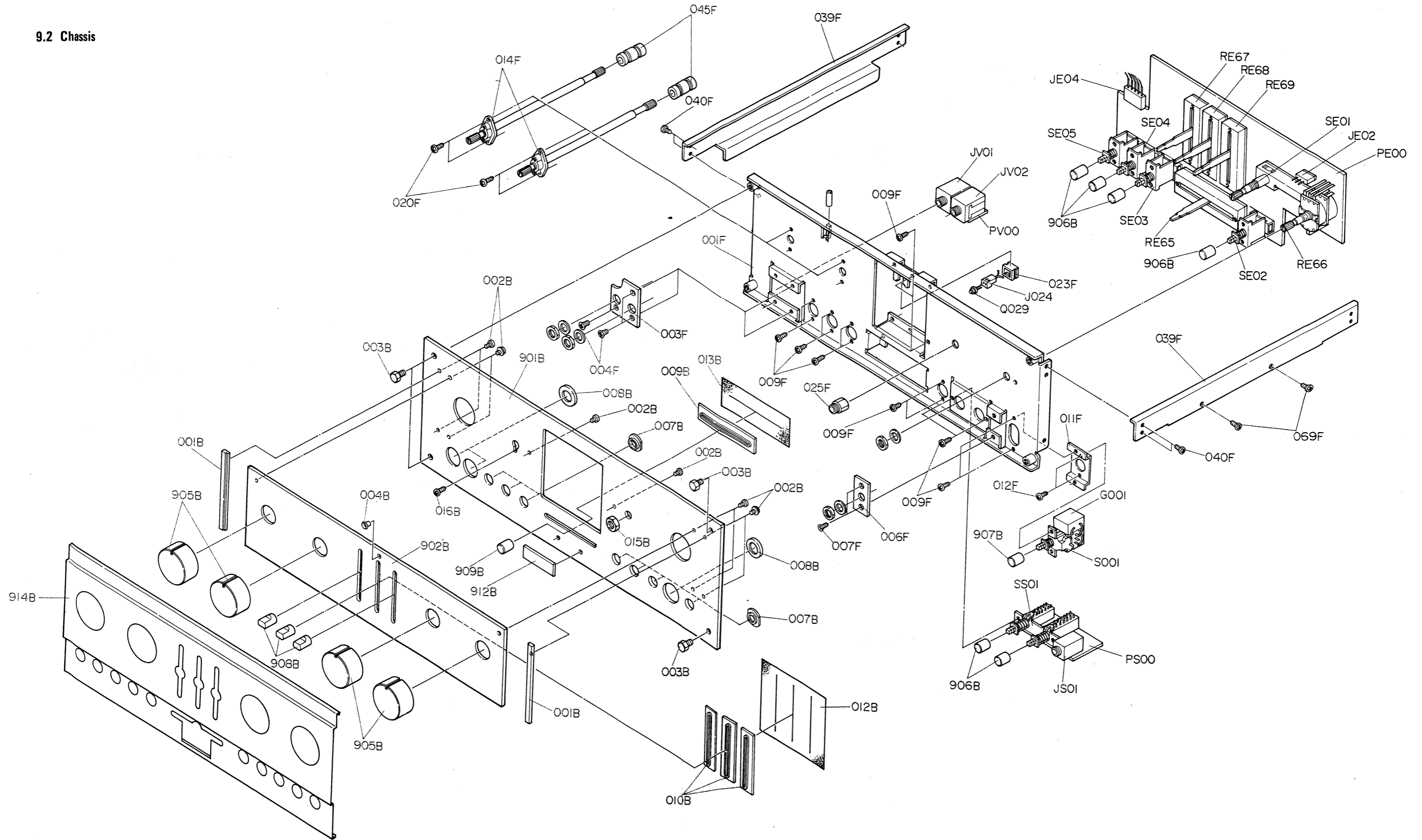
9. EXPLODED MECHANICAL DIAGRAM

9.1 Cabinet

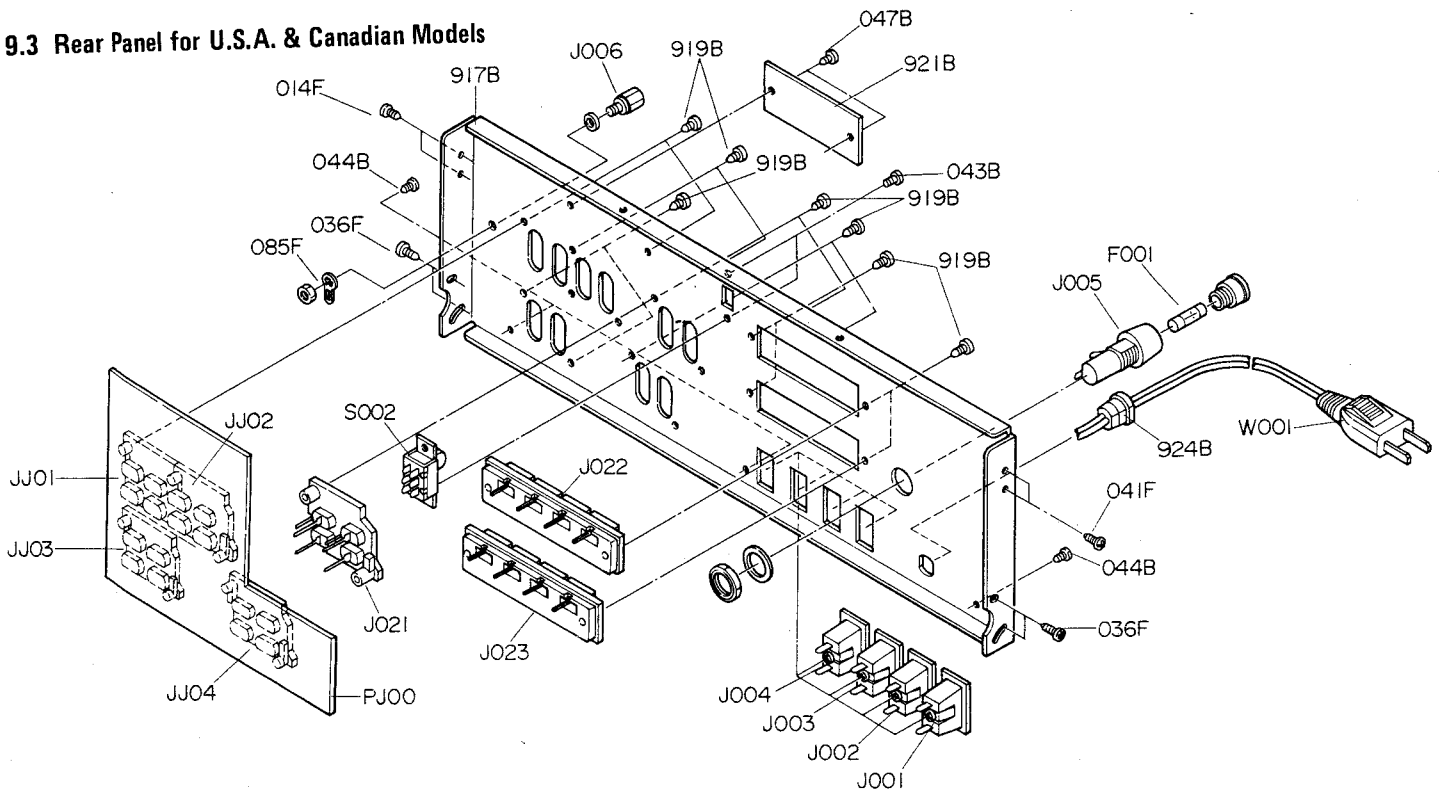




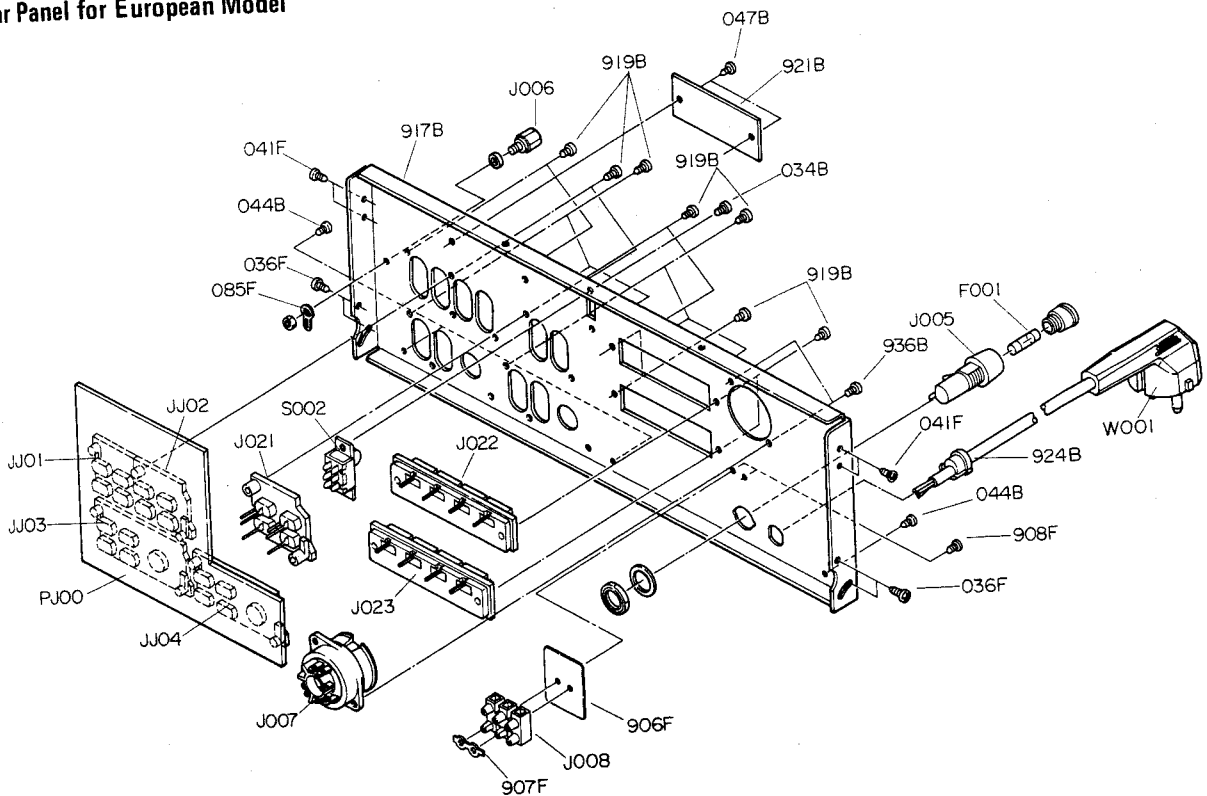
9.2 Chassis



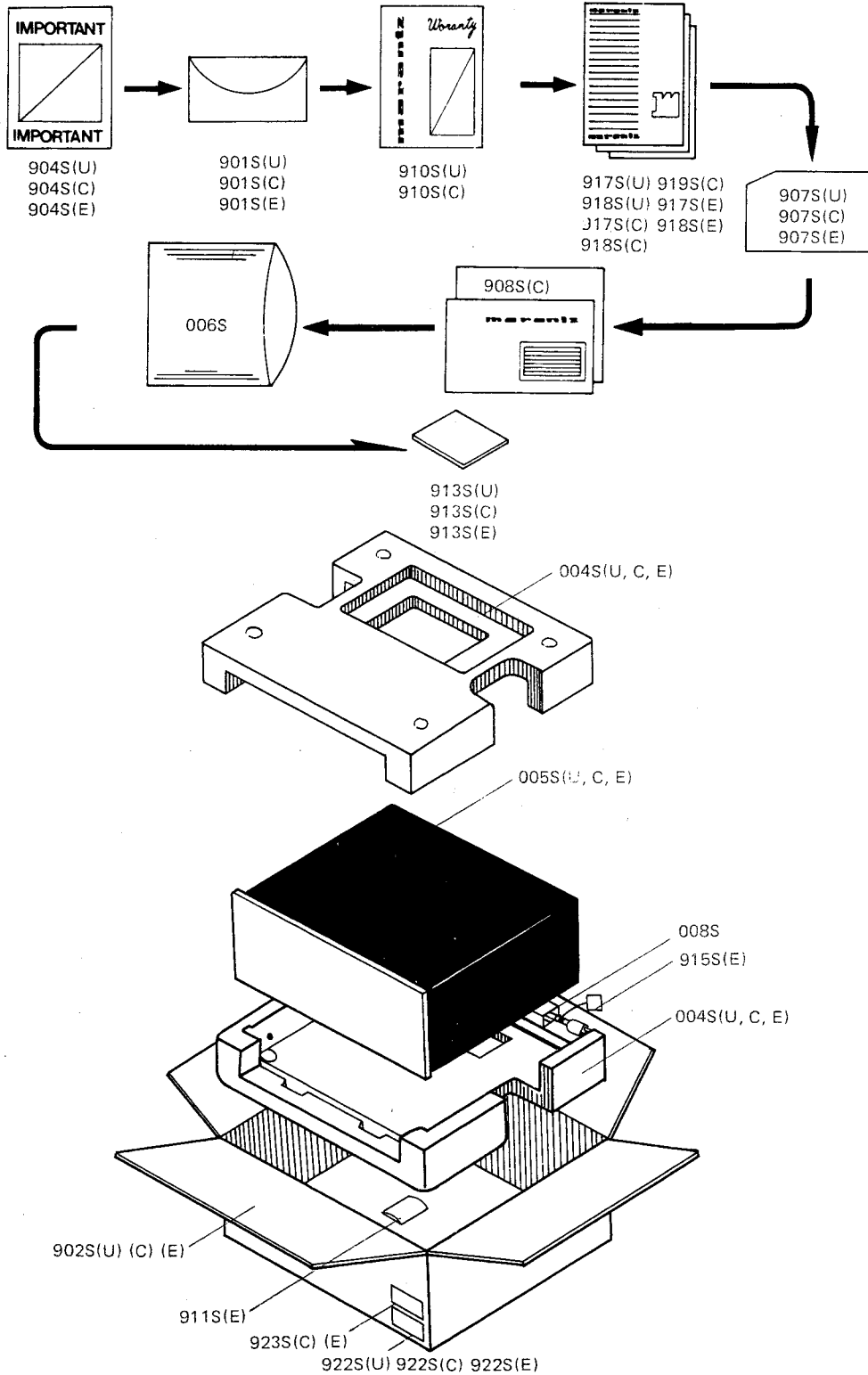
9.3 Rear Panel for U.S.A. & Canadian Models



9.4 Rear Panel for European Model



10. PACKING MATERIAL EXPLODED VIEW



11. PARTS LIST

- (U) for U.S.A.
- (C) for Canada
- (E) for Europe

| REF. DESIG. | Q'TY | | | PART NO. | DESCRIPTION | REF. DESIG. | Q'TY | | | PART NO. | DESCRIPTION |
|-------------|------|----|----|------------|------------------------------|-------------|------|----|----|------------|----------------------------|
| | U | C | E | | | | U | C | E | | |
| A | 1 | 1 | 1 | 2963063400 | Front Panel Assembly | 044B | 3 | 3 | 3 | 51280308U0 | B. H. Tapped Screw, B3 x 8 |
| 001B | 2 | 2 | 2 | 2965063050 | Escutcheon | 045F | 2 | 2 | 2 | 2963125010 | Joint |
| 002B | 10 | 10 | 10 | 51480306A9 | F. Washer Screw | 046F | 1 | 1 | 1 | 2963160020 | Bracket |
| 004B | 1 | 1 | 1 | 2979259022 | Bushing | 047B | 2 | 2 | 2 | 51760306B0 | OS Tapped Screw, O3 x 6 |
| 007B | 7 | 7 | 7 | 2978259012 | Bushing | 047F | 4 | 4 | 4 | 51280306B0 | B. H. Tapped Screw, B3 x 6 |
| 008B | 3 | 3 | 3 | 2978259020 | Bushing | 048F | 1 | 1 | 1 | 2963109010 | Shield |
| 009B | 1 | 1 | 1 | 2926259040 | Bushing | 049F | 1 | 1 | 1 | 2963105022 | Chassis |
| 010B | 3 | 3 | 3 | 2970259010 | Bushing | 050B | 2 | 2 | 2 | 51100306S9 | B. H. M. Screw, B3 x 6 |
| 012B | 1 | 1 | 1 | 2970303010 | Mask | 050F | 4 | 4 | 4 | 51490510A9 | L. Washer Screw, L5 x 10 |
| 013B | 1 | 1 | 1 | 2926303020 | Mask | 051B | 4 | 4 | 4 | 51100410S9 | B. H. M. Screw, B4 x 10 |
| 901B | 1 | 1 | 1 | 2963063014 | Escutcheon | 051F | 4 | 4 | 4 | 51280306B0 | B. H. Tapped Screw, B3 x 6 |
| 902B | 1 | 1 | 1 | 2963063022 | Escutcheon | 052B | 3 | 3 | 3 | 51280308U0 | B. H. Tapped Screw, B3 x 8 |
| 912B | 1 | 1 | 1 | 2979251040 | Badge | 052F | 1 | 1 | 1 | 2963267014 | Heatsink |
| 914B | 1 | 1 | 1 | 2963053012 | Cover | 053F | 2 | 2 | 2 | 2963160140 | Bracket |
| P407 | 4 | 4 | 4 | 3444118050 | Spacer | 054F | 1 | 1 | 1 | 2963160130 | Bracket |
| P412 | 8 | 8 | 8 | 75061751P0 | Jumper | 055F | 1 | 1 | 1 | 2963160040 | Bracket |
| P708 | 84 | 84 | 84 | 2933118020 | Spacer | 056F | 4 | 4 | 4 | 2963267042 | Heat Sink |
| P711 | 26 | 26 | 26 | 75061001P0 | Jumper | 057F | 8 | 8 | 8 | 51280306U0 | B. H. Tap Screw |
| P712 | 6 | 6 | 6 | 75061501P0 | Jumper | 059F | 1 | 1 | 1 | 2963120020 | Insulator |
| P857 | 8 | 8 | 8 | 3444118050 | Spacer | 061F | 5 | 5 | 5 | 51280306B0 | B. H. Tapped Screw, B3 x 6 |
| 001F | 1 | 1 | 1 | 2963160010 | Bracket | 062F | 2 | 2 | 2 | 51280306B0 | B. H. Tapped Screw, B3 x 6 |
| 003B | 4 | 4 | 4 | 52017069J0 | H. Head Bolt | 063F | 2 | 2 | 2 | 51280306B0 | B. H. Tapped Screw, B3 x 6 |
| 003F | 1 | 1 | 1 | 2963120012 | Insulator | 065F | 5 | 5 | 5 | 51280306B0 | B. H. Tapped Screw, B3 x 6 |
| 004F | 3 | 3 | 3 | 51340306B0 | F. H. Tapped Screw, F3 x 6 | 069F | 2 | 2 | 2 | 51280308B0 | B. H. Tapped Screw, B3 x 8 |
| 004S | 2 | 2 | 2 | 2963809020 | Cushion | 072F | 16 | 16 | 16 | 51470312B9 | L. Washer Screw, L3 x 12 |
| 005S | 1 | 1 | 1 | 9014335330 | Polyethylene Bag | 075F | 4 | 4 | 4 | 2212267020 | Heatsink |
| 006F | 1 | 1 | 1 | 2970120020 | Insulator | 076F | 4 | 4 | 4 | 51100305S9 | B. H. M. Screw, B3 x 5 |
| 006S | 1 | 1 | 1 | 9013025010 | Polyethylene Bag | 077F | 4 | 4 | 4 | 51280305U0 | B. H. Tapped Screw, B3 x 5 |
| 007F | 2 | 2 | 2 | 51340306B0 | F. H. Tapped Screw, F3 x 6 | 078F | 4 | 4 | 4 | 51280308U0 | B. H. Tapped Screw, B3 x 8 |
| 008S | 1 | 1 | 1 | 2864804010 | Sleeve | 081F | 1 | 1 | 1 | 2915267020 | Heatsink |
| 009F | 17 | 17 | 17 | 51100306A0 | B. H. M. Screw, B3 x 6 | 082F | 1 | 1 | 1 | 5128306U0 | B. H. Tapped Screw, B3 x 6 |
| 011F | 1 | 1 | 1 | 2963160090 | Bracket | 085F | 1 | 1 | 1 | 62030049W0 | Lug |
| 012F | 2 | 2 | 2 | 51100306A0 | B. H. M. Screw, B3 x 6 | 087F | 1 | 1 | 1 | 2963109020 | Shield |
| 014F | 2 | 2 | 2 | 2963112503 | Shaft | 088F | 1 | 1 | 1 | 51280306B0 | B. H. Tapped Screw, B3 x 6 |
| 015B | 1 | 1 | 1 | 53118179A0 | Hexagon Nut | 089F | 1 | 1 | 1 | 62030049W0 | Lug |
| 016B | 1 | 1 | 1 | 51302608B0 | P. H. Tapped Screw, P2.6 x 8 | 090F | 1 | 1 | 1 | 2922120010 | Insulator |
| 020B | 1 | 1 | 1 | 2963257013 | Lid | 901S | 1 | | | 2577813010 | Envelope |
| 020F | 4 | 4 | 4 | 51280306B0 | B. H. Tapped Screw, B3 x 6 | 901S | | 1 | | 2818813010 | Envelope |
| 021B | 4 | 4 | 4 | 51280306U0 | B. H. Tapped Screw, B3 x 6 | 901S | 1 | | | 2918813012 | Envelope |
| 022B | 4 | 4 | 4 | 51480406S9 | F. Washer Screw, F4 x 6 | 902S | 1 | 1 | 1 | 2963801010 | Packing Case |
| 023B | 6 | 6 | 6 | 2979259030 | Bushing | 904S | 1 | | | 2577851020 | Instructions |
| 023F | 1 | 1 | 1 | 2978259060 | Bushing | 904S | | 1 | 1 | 2818851120 | Instructions |
| 025F | 1 | 1 | 1 | 2970101010 | Support | 905B | 4 | 4 | 4 | 2963154010 | Knob |
| 031B | 1 | 1 | 1 | 2963105505 | Chassis | 906B | 6 | 6 | 6 | 2963154032 | Knob |
| 031F | 1 | 1 | 1 | 2963160080 | Bracket | 906F | 1 | | | 4113120010 | Insulator |
| 032F | 2 | 2 | 2 | 51280306B0 | B. H. Tapped Screw, B3 x 6 | 907B | 1 | 1 | 1 | 2963154022 | Knob |
| 035F | 2 | 2 | 2 | 51100306S9 | B. H. M. Screw, B3 x 6 | 907F | | 1 | | 2970005010 | Clamper |
| 036B | 3 | 3 | 3 | 51280410U0 | B. H. Tapped Screw, B4 x 10 | 907S | 1 | | | 2577854012 | Guarantee Card |
| 036F | 4 | 4 | 4 | 51280306U0 | B. H. Tapped Screw, B3 x 6 | 907S | | 1 | 1 | 9630000180 | Guarantee Card |
| 038B | 4 | 4 | 4 | 2932057010 | Leg | 908B | 3 | 3 | 3 | 2970154023 | Knob |
| 039B | 4 | 4 | 4 | 51570410S0 | P. Tapped Screw, P4 x 10 | 908F | | 2 | | 51100314S9 | B. H. M. Screw, B3 x 14 |
| 039F | 2 | 2 | 2 | 2963126010 | Stay | 908S | | 1 | | 9650000050 | S. Station Card |
| 040F | 4 | 4 | 4 | 51280306B0 | B. H. Tapped Screw, B3 x 6 | 909B | 1 | 1 | 1 | 2970154012 | Knob |
| 041F | 4 | 4 | 4 | 51280306U0 | B. H. Tapped Screw, B3 x 6 | 910S | 1 | | | 2818854022 | Guarantee Card |
| 043B | 2 | 2 | 2 | 51100306S9 | B. H. M. Screw, B3 x 6 | 910S | | 1 | | 2818854040 | Guarantee Card |
| | | | | | | 911S | | 1 | | 2731821010 | Silicagel |

• (U) for U.S.A.
• (C) for Canada
• (E) for Europe

| REF. DESIG. | Q'TY | | | PART NO. | DESCRIPTION | REF. DESIG. | Q'TY | | | PART NO. | DESCRIPTION | |
|-------------|------|----|----|------------|---|-------------|------|---|---|------------|--|---------------------|
| | U | C | E | | | | U | C | E | | | |
| 913S | 1 | | | 2818851040 | Instructions | CE27 | 1 | 1 | 1 | DF16104010 | Film Cap., 0.1 μ F \pm 20% 50V | |
| 913S | | 1 | 1 | 2818851140 | Instructions | CE28 | 1 | 1 | 1 | DF16104010 | Film Cap., 0.1 μ F \pm 20% 50V | |
| 915S | | | 1 | 9560000042 | Hang Tag | CE29 | 1 | 1 | 1 | DF15273010 | Film Cap., 0.027 μ F \pm 5% 50V | |
| 917B | 1 | 1 | | 2963160214 | Bracket | CE30 | 1 | 1 | 1 | DF15273010 | Film Cap., 0.027 μ F \pm 5% 50V | |
| 917B | | | 1 | 2963160223 | Bracket | CE31 | 1 | 1 | 1 | DF15823050 | Film Cap., 0.082 μ F \pm 5% 50V | |
| 917S | 1 | | | 2963851010 | Instructions | CE32 | 1 | 1 | 1 | DF15823050 | Film Cap., 0.082 μ F \pm 5% 50V | |
| 917S | | 1 | 1 | 2963851310 | Instructions | CE33 | 1 | 1 | 1 | EA10705090 | Electrolytic Cap., 100 μ F 50V | |
| 918S | | | 1 | 2886851100 | Instructions | CE81 | 1 | 1 | 1 | EA22605090 | Electrolytic Cap., 22 μ F 50V | |
| 918S | 1 | | | 2963851020 | Instructions | CE82 | 1 | 1 | 1 | EA22605090 | Electrolytic Cap., 22 μ F 50V | |
| 918S | | | 1 | 2963851030 | Instructions | CE83 | 1 | 1 | 1 | EA10701090 | Electrolytic Cap., 100 μ F 10V | |
| 918S | | | | | | CE84 | 1 | 1 | 1 | EA10701090 | Electrolytic Cap., 100 μ F 10V | |
| 919B | 14 | 14 | 16 | 51280308U0 | B.H. Tapped Screw, B3 x 8 | CE85 | 1 | 1 | 1 | DD15400010 | Ceramic Cap., 40pF \pm 5% 50V | |
| 919S | | 1 | | 2963851050 | Instructions | CE86 | 1 | 1 | 1 | DD15400010 | Ceramic Cap., 40pF \pm 5% 50V | |
| 921B | 1 | | | 2963265010 | Indicator | CE87 | 1 | 1 | 1 | EA22605090 | Electrolytic Cap., 22 μ F 50V | |
| 921B | | | 1 | 2963265020 | Indicator | CE88 | 1 | 1 | 1 | EA47405090 | Electrolytic Cap., 0.47 μ F 50V | |
| 921B | | | 1 | 2963265030 | Indicator | JE01 | 1 | 1 | 1 | YP06001040 | Plug, Input Basepost | |
| 922S | 3 | | | 9522815010 | Serial No. Card | JE02 | 1 | 1 | 1 | YJ06001240 | Jack, Input | |
| 922S | | | 3 | 9523015110 | Serial No. Card | JE03 | 1 | 1 | 1 | YP06001050 | Plug, Output Basepost | |
| 922S | | | 3 | 9523015120 | Serial No. Card | JE04 | 1 | 1 | 1 | YJ06001250 | Jack, Output | |
| 923S | | 2 | 2 | 9510901020 | Label | | | | | | | |
| 924B | 1 | 1 | | 1455259030 | Bushing | | | | | | | |
| 924B | | | 1 | 1455259040 | Bushing | PE00 | 1 | 1 | 1 | YK29631310 | PE00 TONE CONTROL BOARD | |
| 925B | 1 | 1 | 2 | 62040029W0 | Lug | | | | | | P.W. Board | |
| 930B | 1 | | | 2991861010 | Label | | | | | | ZZ29631310 | P.W. Board Assembly |
| 931B | 1 | 1 | | 2578861010 | Label | QE01 | 1 | 1 | 1 | HT312222B0 | Transistor, 2SC1222 (U or E) | |
| 931B | | | 1 | 2911861110 | Label | QE02 | 1 | 1 | 1 | HT312222B0 | Transistor, 2SC1222 (U or E) | |
| 932B | | | 1 | 2911861143 | Label | QE03 | 1 | 1 | 1 | HT107502B0 | Transistor, 2SA750 (U or E) | |
| 932B | 1 | 1 | | 2932861012 | Label | QE04 | 1 | 1 | 1 | HT107502B0 | Transistor, 2SA750 (U or E) | |
| 933B | | | 1 | 9510911010 | Label | QE05 | 1 | 1 | 1 | HT312222B0 | Transistor, 2SC1222 (U or E) | |
| 933B | 1 | | | 9511101010 | Label | QE06 | 1 | 1 | 1 | HT312222B0 | Transistor, 2SC1222 (U or E) | |
| 935B | | | 1 | 2911861270 | Label | QE07 | 1 | 1 | 1 | HT107502B0 | Transistor, 2SA750 (U or E) | |
| 936B | | | 1 | 2911861012 | Label | QE08 | 1 | 1 | 1 | HT107502B0 | Transistor, 2SA750 (U or E) | |
| 936B | | | 2 | 51280306U0 | B.H. Tapped Screw, B3 x 6 | RE01 | 1 | 1 | 1 | RT05222140 | Resistor, 2.2k Ω \pm 5% $\frac{1}{4}$ W | |
| 937B | | | 1 | 2911861192 | Label | RE02 | 1 | 1 | 1 | RT05222140 | Resistor, 2.2k Ω \pm 5% $\frac{1}{4}$ W | |
| 938B | | | 1 | 2911861162 | Label | RE03 | 1 | 1 | 1 | RT05154140 | Resistor, 150k Ω \pm 5% $\frac{1}{4}$ W | |
| CE01 | 1 | 1 | 1 | EE47405040 | Electrolytic Cap., 0.47 μ F \pm 20% 50V | RE04 | 1 | 1 | 1 | RT05163140 | Resistor, 16k Ω \pm 5% $\frac{1}{4}$ W | |
| CE02 | 1 | 1 | 1 | EE47405040 | Electrolytic Cap., 0.47 μ F \pm 20% 50V | RE05 | 1 | 1 | 1 | RT05564140 | Resistor, 560k Ω \pm 5% $\frac{1}{4}$ W | |
| CE05 | 1 | 1 | 1 | EE47505040 | Electrolytic Cap., 4.7 μ F \pm 20% 50V | RE06 | 1 | 1 | 1 | RT05564140 | Resistor, 560k Ω \pm 5% $\frac{1}{4}$ W | |
| CE06 | 1 | 1 | 1 | EE47505040 | Electrolytic Cap., 4.7 μ F \pm 20% 50V | RE07 | 1 | 1 | 1 | RT05123140 | Resistor, 12k Ω \pm 5% $\frac{1}{4}$ W | |
| CE07 | 1 | 1 | 1 | DD16201010 | Ceramic Cap., 200pF \pm 10% 50V | RE08 | 1 | 1 | 1 | RT05123140 | Resistor, 12k Ω \pm 5% $\frac{1}{4}$ W | |
| CE08 | 1 | 1 | 1 | DD16201010 | Ceramic Cap., 200pF \pm 10% 50V | RE09 | 1 | 1 | 1 | RT05102140 | Resistor, 1k Ω \pm 5% $\frac{1}{4}$ W | |
| CE09 | 1 | 1 | 1 | DF15152010 | Film Cap., 1500pF \pm 5% 50V | RE10 | 1 | 1 | 1 | RT05102140 | Resistor, 1k Ω \pm 5% $\frac{1}{4}$ W | |
| CE10 | 1 | 1 | 1 | DF15152010 | Film Cap., 1500pF \pm 5% 50V | RE11 | 1 | 1 | 1 | RT05822140 | Resistor, 8.2k Ω \pm 5% $\frac{1}{4}$ W | |
| CE11 | 1 | 1 | 1 | DF15562010 | Film Cap., 5600pF \pm 5% 50V | RE12 | 1 | 1 | 1 | RT05822140 | Resistor, 8.2k Ω \pm 5% $\frac{1}{4}$ W | |
| CE12 | 1 | 1 | 1 | DF15562010 | Film Cap., 5600pF \pm 5% 50V | RE15 | 1 | 1 | 1 | RT05224140 | Resistor, 220k Ω \pm 5% $\frac{1}{4}$ W | |
| CE13 | 1 | 1 | 1 | DF15333010 | Film Cap., 0.033 μ F \pm 5% 50V | RE16 | 1 | 1 | 1 | RT05224140 | Resistor, 220k Ω \pm 5% $\frac{1}{4}$ W | |
| CE14 | 1 | 1 | 1 | DF15333010 | Film Cap., 0.033 μ F \pm 5% 50V | RE17 | 1 | 1 | 1 | RT05752140 | Resistor, 7.5k Ω \pm 5% $\frac{1}{4}$ W | |
| CE15 | 1 | 1 | 1 | DF15333010 | Film Cap., 0.033 μ F \pm 5% 50V | RE18 | 1 | 1 | 1 | RT05752140 | Resistor, 7.5k Ω \pm 5% $\frac{1}{4}$ W | |
| CE16 | 1 | 1 | 1 | DF15333010 | Film Cap., 0.033 μ F \pm 5% 50V | RE19 | 1 | 1 | 1 | RT05752140 | Resistor, 7.5k Ω \pm 5% $\frac{1}{4}$ W | |
| CE17 | 1 | 1 | 1 | DF15682010 | Film Cap., 6800pF \pm 5% 50V | RE20 | 1 | 1 | 1 | RT05752140 | Resistor, 7.5k Ω \pm 5% $\frac{1}{4}$ W | |
| CE18 | 1 | 1 | 1 | DF15682010 | Film Cap., 6800pF \pm 5% 50V | RE21 | 1 | 1 | 1 | RT05123140 | Resistor, 12k Ω \pm 5% $\frac{1}{4}$ W | |
| CE19 | 1 | 1 | 1 | EA47405090 | Electrolytic Cap., 0.47 μ F 50V | RE22 | 1 | 1 | 1 | RT05123140 | Resistor, 12k Ω \pm 5% $\frac{1}{4}$ W | |
| CE20 | 1 | 1 | 1 | EA47405090 | Electrolytic Cap., 0.47 μ F 50V | RE23 | 1 | 1 | 1 | RT05103140 | Resistor, 10k Ω \pm 5% $\frac{1}{4}$ W | |
| CE21 | 1 | 1 | 1 | EA33505090 | Electrolytic Cap., 3.3 μ F 50V | RE24 | 1 | 1 | 1 | RT05103140 | Resistor, 10k Ω \pm 5% $\frac{1}{4}$ W | |
| CE22 | 1 | 1 | 1 | EA33505090 | Electrolytic Cap., 3.3 μ F 50V | RE25 | 1 | 1 | 1 | RT05474140 | Resistor, 470k Ω \pm 5% $\frac{1}{4}$ W | |
| CE25 | 1 | 1 | 1 | DF15103010 | Film Cap., 0.001 μ F \pm 5% 50V | RE26 | 1 | 1 | 1 | RT05474140 | Resistor, 470k Ω \pm 5% $\frac{1}{4}$ W | |
| CE26 | 1 | 1 | 1 | DF15103010 | Film Cap., 0.001 μ F \pm 5% 50V | RE27 | 1 | 1 | 1 | RT05752140 | Resistor, 7.5k Ω \pm 5% $\frac{1}{4}$ W | |
| | | | | | | RE28 | 1 | 1 | 1 | RT05752140 | Resistor, 7.5k Ω \pm 5% $\frac{1}{4}$ W | |
| | | | | | | RE29 | 1 | 1 | 1 | RT05123140 | Resistor, 12k Ω \pm 5% $\frac{1}{4}$ W | |

- (U) for U.S.A.
- (C) for Canada
- (E) for Europe

| REF. DESIG. | Q'TY | | | PART NO. | DESCRIPTION | REF. DESIG. | Q'TY | | | PART NO. | DESCRIPTION |
|-------------|------|---|---|------------|---------------------------------|-------------|------|---|---|------------|--|
| | U | C | E | | | | U | C | E | | |
| RE30 | 1 | 1 | 1 | RT05123140 | Resistor, 12kΩ ±5% ¼W | PJ00 | 1 | 1 | 1 | YF29630010 | PJ00 INPUT TERMINAL BOARD P.W. Board |
| RE31 | 1 | 1 | 1 | RT05684140 | Resistor, 680kΩ ±5% ¼W | | 1 | 1 | 1 | ZZ29631010 | P.W. Board Assembly |
| RE32 | 1 | 1 | 1 | RT05684140 | Resistor, 680kΩ ±5% ¼W | | | | 1 | ZZ29638010 | P.W. Board Assembly |
| RE33 | 1 | 1 | 1 | RT05273140 | Resistor, 27kΩ ±5% ¼W | | | | | | |
| RE34 | 1 | 1 | 1 | RT05273140 | Resistor, 27kΩ ±5% ¼W | | | | | | |
| RE35 | 1 | 1 | 1 | RT05224140 | Resistor, 220kΩ ±5% ¼W | RJ01 | | | 1 | RT05394140 | Resistor, 390kΩ ±5% ¼W |
| RE36 | 1 | 1 | 1 | RT05224140 | Resistor, 220kΩ ±5% ¼W | RJ02 | | | 1 | RT05394140 | Resistor, 390kΩ ±5% ¼W |
| RE37 | 1 | 1 | 1 | RT05682140 | Resistor, 6.8kΩ ±5% ¼W | RJ03 | | | 1 | RT05394140 | Resistor, 390kΩ ±5% ¼W |
| RE38 | 1 | 1 | 1 | RT05682140 | Resistor, 6.8kΩ ±5% ¼W | RJ04 | | | 1 | RT05394140 | Resistor, 390kΩ ±5% ¼W |
| RE39 | 1 | 1 | 1 | RT05103140 | Resistor, 10kΩ ±5% ¼W | RJ05 | | | 1 | RT05104140 | Resistor, 100kΩ ±5% ¼W |
| | | | | | | RJ06 | | | 1 | RT05104140 | Resistor, 100kΩ ±5% ¼W |
| | | | | | | RJ07 | | | 1 | RT05104140 | Resistor, 100kΩ ±5% ¼W |
| RE40 | 1 | 1 | 1 | RT05103140 | Resistor, 10kΩ ±5% ¼W | RJ08 | | | 1 | RT05104140 | Resistor, 100kΩ ±5% ¼W |
| RE41 | 1 | 1 | 1 | RT05822140 | Resistor, 8.2kΩ ±5% ¼W | JN01 | | | | | |
| RE42 | 1 | 1 | 1 | RT05822140 | Resistor, 8.2kΩ ±5% ¼W | JN08 | 8 | 8 | 8 | YJ06001530 | Jack, TR Socket |
| RE43 | 1 | 1 | 1 | RT05361140 | Resistor, 360Ω ±5% ¼W | | | | | | |
| RE44 | 1 | 1 | 1 | RT05361140 | Resistor, 360Ω ±5% ¼W | | | | | | |
| RE45 | 1 | 1 | 1 | RT05334140 | Resistor, 330kΩ ±5% ¼W | | | | | | |
| RE46 | 1 | 1 | 1 | RT05334140 | Resistor, 330kΩ ±5% ¼W | PN00 | 1 | 1 | 1 | YF29630020 | PN00 TR SOCKET BOARD P.W. Board |
| RE47 | 1 | 1 | 1 | RT05273140 | Resistor, 27kΩ ±5% ¼W | | 1 | 1 | 1 | ZZ29630020 | P.W. Board Assembly |
| RE48 | 1 | 1 | 1 | RT05273140 | Resistor, 27kΩ ±5% ¼W | | | | | | |
| RE49 | 1 | 1 | 1 | RT05432140 | Resistor, 4.3kΩ ±5% ¼W | JN01 | | | 1 | YJ06001530 | Jack |
| | | | | | | JN08 | | | | | |
| RE50 | 1 | 1 | 1 | RT05432140 | Resistor, 4.3kΩ ±5% ¼W | | | | | | |
| RE51 | 1 | 1 | 1 | RT05102140 | Resistor, 1kΩ ±5% ¼W | JS01 | 1 | 1 | 1 | YJ01000860 | Jack, Headphone |
| RE52 | 1 | 1 | 1 | RT05102140 | Resistor, 1kΩ ±5% ¼W | | | | | | |
| RE53 | 1 | 1 | 1 | RT05225140 | Resistor, 2.2MΩ ±5% ¼W | | | | | | |
| RE54 | 1 | 1 | 1 | RT05225140 | Resistor, 2.2MΩ ±5% ¼W | PS00 | 1 | 1 | 1 | YK29631320 | PS00 SPKR SWITCH BOARD P.W. Board |
| RE55 | 1 | 1 | 1 | RT05753140 | Resistor, 75kΩ ±5% ¼W | | 1 | 1 | 1 | ZZ29631320 | P.W. Board Assembly |
| RE56 | 1 | 1 | 1 | RT05753140 | Resistor, 75kΩ ±5% ¼W | | | | | | |
| RE57 | 1 | 1 | 1 | RT05105140 | Resistor, 1MΩ ±5% ¼W | RS01 | 1 | 1 | 1 | GJ05331020 | Resistor, 330Ω ±5% 2W |
| RE58 | 1 | 1 | 1 | RT05105140 | Resistor, 1MΩ ±5% ¼W | RS02 | 1 | 1 | 1 | GJ05331020 | Resistor, 330Ω ±5% 2W |
| RE59 | 1 | 1 | 1 | RT05151140 | Resistor, 150Ω ±5% ¼W | RS03 | 1 | 1 | 1 | GJ05151010 | Resistor, 150Ω ±5% 1W |
| | | | | | | RS04 | 1 | 1 | 1 | GJ05151010 | Resistor, 150Ω ±5% 1W |
| RE60 | 1 | 1 | 1 | RT05151140 | Resistor, 150Ω ±5% ¼W | SS01 | 1 | 1 | 1 | SP08020030 | Pushswitch, Speaker |
| RE63 | 1 | 1 | 1 | RT05151140 | Resistor, 150Ω ±5% ¼W | CT01 | 1 | 1 | 1 | DF16103010 | Film Cap., 0.01μF ±10% 50V |
| RE64 | 1 | 1 | 1 | RT05151140 | Resistor, 150Ω ±5% ¼W | CT02 | 1 | 1 | 1 | DF16103010 | Film Cap., 0.01μF ±10% 50V |
| RE65 | 1 | 1 | 1 | RS05030320 | Variable Resistor, 50kΩ Balance | CT03 | 1 | 1 | 1 | DF16103010 | Film Cap., 0.01μF ±10% 50V |
| RE66 | 1 | 1 | 1 | RM05030670 | Variable Resistor, 50kΩ Volume | CT04 | 1 | 1 | 1 | DF16103010 | Film Cap., 0.01μF ±10% 50V |
| RE67 | 1 | 1 | 1 | RS01040040 | Variable Resistor, 100kΩ Treble | CT09 | 1 | 1 | 1 | EE22601640 | Electrolytic Cap., 22μF 16V |
| RE68 | 1 | 1 | 1 | RS01040040 | Variable Resistor, 100kΩ Mid | CT10 | 1 | 1 | 1 | EE22601640 | Electrolytic Cap., 22μF 16V |
| RE69 | 1 | 1 | 1 | RS01040040 | Variable Resistor, 100kΩ Bass | CT11 | 1 | 1 | 1 | EE22601640 | Electrolytic Cap., 22μF 16V |
| RE81 | 1 | 1 | 1 | RT05102140 | Resistor, 1kΩ ±5% ¼W | CT12 | 1 | 1 | 1 | EE22601640 | Electrolytic Cap., 22μF 16V |
| RE82 | 1 | 1 | 1 | RT05102140 | Resistor, 1kΩ ±5% ¼W | QT01 | 1 | 1 | 1 | HT309452A0 | Transistor, 2SC945 (Q or R) |
| | | | | | | QT02 | 1 | 1 | 1 | HT309452A0 | Transistor, 2SC945 (Q or R) |
| RE83 | 1 | 1 | 1 | RT05564140 | Resistor, 560kΩ ±5% ¼W | QT03 | 1 | 1 | 1 | HT107332A0 | Transistor, 2SA733 (Q or R) |
| RE84 | 1 | 1 | 1 | RT05564140 | Resistor, 560kΩ ±5% ¼W | QT04 | 1 | 1 | 1 | HT107332A0 | Transistor, 2SA733 (Q or R) |
| SE01 | 1 | 1 | 1 | SR04050100 | Rotary Switch, Mode | QT05 | 1 | 1 | 1 | HD20011050 | Diode, 1S1555 |
| SE02 | 1 | 1 | 1 | SP04010210 | Pushswitch, Loudness | QT06 | 1 | 1 | 1 | HD20011050 | Diode, 1S1555 |
| SE03 | 1 | 1 | 1 | SP04010210 | Pushswitch, Tone Defeat | QT07 | 1 | 1 | 1 | HD20011050 | Diode, 1S1555 |
| SE04 | 1 | 1 | 1 | SP04010210 | Pushswitch, High Filter, 5kHz | QT08 | 1 | 1 | 1 | HD20011050 | Diode, 1S1555 |
| SE05 | 1 | 1 | 1 | SP04010210 | Pushswitch, Low Filter, 60Hz | QT09 | 1 | 1 | 1 | HD20011050 | Diode, 1S1555 |
| CJ01 | 1 | 1 | 1 | DK18203010 | Ceramic Cap., 0.02μF 50V | QT10 | 1 | 1 | 1 | HD20011050 | Diode, 1S1555 |
| CJ02 | 1 | 1 | 1 | DK18203010 | Ceramic Cap., 0.02μF 50V | QT11 | 1 | 1 | 1 | HD20011050 | Diode, 1S1555 |
| JJ01 | 1 | 1 | 1 | YT02040150 | Terminal, Phono 1,2 Input | QT12 | 1 | 1 | 1 | HD20011050 | Diode, 1S1555 |
| | | | | | | QT13 | 1 | 1 | 1 | HD20003210 | Diode, 1S2471 |
| JJ02 | 1 | 1 | 1 | YT02040150 | Terminal, Tuner Aux Input | QT14 | 1 | 1 | 1 | HD20003210 | Diode, 1S2471 |
| JJ03 | 1 | 1 | 1 | BY01050060 | Jack, Tape 1 Input Output | QT15 | 1 | 1 | 1 | HD20003210 | Diode, 1S2471 |
| JJ03 | 1 | 1 | 1 | YT02040150 | Terminal, Tape 1 Input Output | QT16 | 1 | 1 | 1 | HD20003210 | Diode, 1S2471 |
| JJ04 | 1 | 1 | 1 | BY01050060 | Jack, Tape 2 Input Output | RT05 | 1 | 1 | 1 | GU05332120 | Resistor, 3.3kΩ ±5% ¼W |
| JJ04 | 1 | 1 | 1 | YT02040150 | Terminal, Tape 2 Input Output | | | | | | |
| JJ05 | 1 | 1 | 1 | YJ06000400 | Jack, 10P Connector | RT06 | 1 | 1 | 1 | GU05332120 | Resistor, 3.3kΩ ±5% ¼W |
| JJ06 | 1 | 1 | 1 | YJ06000400 | Jack, 10P Connector | RT07 | 1 | 1 | 1 | GU05332120 | Resistor, 3.3kΩ ±5% ¼W |

• (U) for U.S.A.
 • (C) for Canada
 • (E) for Europe

| REF. DESIG. | Q'TY | | | PART NO. | DESCRIPTION |
|----------------------------|------|---|---|------------|----------------------------------|
| | U | C | E | | |
| RT08 | 1 | 1 | 1 | GU05332120 | Resistor, 3.3kΩ ±5% ¼W |
| RT09 | 1 | 1 | 1 | GU05432120 | Resistor, 4.3kΩ ±5% ¼W |
| RT10 | 1 | 1 | 1 | GU05432120 | Resistor, 4.3kΩ ±5% ¼W |
| RT11 | 1 | 1 | 1 | GD05201140 | Resistor, 200Ω ±5% ¼W |
| RT12 | 1 | 1 | 1 | GD05201140 | Resistor, 200Ω ±5% ¼W |
| RT13 | 1 | 1 | 1 | GD05201140 | Resistor, 200Ω ±5% ¼W |
| RT14 | 1 | 1 | 1 | GD05201140 | Resistor, 200Ω ±5% ¼W |
| RT15 | 1 | 1 | 1 | GD05201140 | Resistor, 200Ω ±5% ¼W |
| RT16 | 1 | 1 | 1 | GD05201140 | Resistor, 200Ω ±5% ¼W |
| RT17 | 1 | 1 | 1 | GD05201140 | Resistor, 200Ω ±5% ¼W |
| RT18 | 1 | 1 | 1 | GD05201140 | Resistor, 200Ω ±5% ¼W |
| RT19 | 1 | 1 | 1 | GD05820140 | Resistor, 82Ω ±5% ¼W |
| RT20 | 1 | 1 | 1 | GD05820140 | Resistor, 82Ω ±5% ¼W |
| RT21 | 1 | 1 | 1 | GD05820140 | Resistor, 82Ω ±5% ¼W |
| RT22 | 1 | 1 | 1 | GD05820140 | Resistor, 82Ω ±5% ¼W |
| JV01 | 1 | 1 | 1 | YJ01000860 | Jack, Microphone L-ch. |
| JV02 | 1 | 1 | 1 | YJ01000860 | Jack, Microphone R-ch. |
| PV00 MIC JACK BOARD | | | | | |
| PV00 | 1 | 1 | 1 | YK29631330 | P.W. Board |
| | 1 | 1 | 1 | ZZ29631330 | P.W. Board Assembly |
| C001 | 1 | 1 | 1 | EQ10601610 | Electrolytic Cap., 10μF ±10% 16V |
| C002 | 1 | 1 | 1 | EQ10601610 | Electrolytic Cap., 10μF ±10% 16V |
| F001 | 1 | 1 | 1 | FS10400050 | Fuse, 30mm |
| F001 | 1 | 1 | 1 | FS10400080 | Fuse, SEMKO (20mm Type) 4AT |
| G001 | 1 | 1 | 1 | BF10400040 | Cap. Comp. |
| G001 | 1 | 1 | 1 | BF33300020 | Cap. Comp., 0.033μF+120Ω ECQ-JC |
| G001 | 1 | 1 | 1 | DO07473540 | Oil-Paper Cap., ECN-C4A SEMKO |
| G002 | 1 | 1 | 1 | BF33300010 | Cap. Comp., 0.033μF+120Ω AC |
| J001 | 4 | 4 | 4 | YJ04000560 | Jack, AC Outlet |
| J004 | | | | | |
| J005 | 1 | 1 | 1 | YJ08000220 | Jack, Fuse Holder (20mm Type) |
| J005 | 1 | 1 | 1 | YJ08000230 | Jack, Fuse Holder |
| J006 | 1 | 1 | 1 | YT01010050 | Terminal, Ground |
| J007 | 1 | 1 | 1 | BY03110010 | Plug, Voltage Selector |
| J008 | 1 | 1 | 1 | YL09030010 | Terminal, 3P |
| J021 | 1 | 1 | 1 | YT02040170 | Terminal, Pre In, Main Out |
| J022 | 1 | 1 | 1 | YT03040160 | Terminal, Speaker |
| J023 | 1 | 1 | 1 | YT03040160 | Terminal, Speaker |
| J024 | 1 | 1 | 1 | YJ05000250 | Jack, LED Socket |
| J025 | 1 | 1 | 1 | YT01010050 | Terminal, Ground |
| L001 | 1 | 1 | 1 | TS60506010 | Power Transformer, 120V 60 Hz |
| L001 | 1 | 1 | 1 | TS60506020 | Power Transformer, SEMKO |
| Q021 | 1 | 1 | 1 | HT405882B0 | Transistor, 2SD588 (Q or R) |
| Q022 | 1 | 1 | 1 | HT405882B0 | Transistor, 2SD588 (Q or R) |
| Q023 | 1 | 1 | 1 | HT405882B0 | Transistor, 2SD588 (Q or R) |
| Q024 | 1 | 1 | 1 | HT405882B0 | Transistor, 2SD588 (Q or R) |
| Q025 | 1 | 1 | 1 | HT206182B0 | Transistor, 2SB618 (Q or R) |
| Q026 | 1 | 1 | 1 | HT206182B0 | Transistor, 2SB618 (Q or R) |
| Q027 | 1 | 1 | 1 | HT206182B0 | Transistor, 2SB618 (Q or R) |
| Q028 | 1 | 1 | 1 | HT206182B0 | Transistor, 2SB618 (Q or R) |
| Q029 | 1 | 1 | 1 | H110004030 | L.E.D., SLP-132P |
| S001 | 1 | 1 | 1 | SP02010280 | Pushswitch, Power |
| S001 | 1 | 1 | 1 | SP02010300 | Pushswitch, SEMKO |
| S002 | 1 | 1 | 1 | SS02020380 | Slide Switch, DC/AC Coupling |
| W001 | 1 | 1 | 1 | YC01900030 | A.C. Power Cord |

| REF. DESIG. | Q'TY | | | PART NO. | DESCRIPTION |
|------------------------------|------|---|---|------------|-----------------------------------|
| | U | C | E | | |
| W001 | 1 | 1 | 1 | YC02400220 | A.C. Power Cord |
| C401 | 1 | 1 | 1 | EE22505040 | Electrolytic Cap., 2.2μF ±20% 50V |
| C402 | 1 | 1 | 1 | EE22505040 | Electrolytic Cap., 2.2μF ±20% 50V |
| C403 | 1 | 1 | 1 | DD12100010 | Ceramic Cap., 10pF ±5% 50V |
| C404 | 1 | 1 | 1 | DD12100010 | Ceramic Cap., 10pF ±5% 50V |
| C405 | 1 | 1 | 1 | EV33600660 | Electrolytic Cap., 33μF ±20% 6.3V |
| C406 | 1 | 1 | 1 | EV33600660 | Electrolytic Cap., 33μF ±20% 6.3V |
| C409 | 1 | 1 | 1 | EA47601090 | Electrolytic Cap., 47μF 10V |
| C410 | 1 | 1 | 1 | EA47601090 | Electrolytic Cap., 47μF 10V |
| C411 | 1 | 1 | 1 | DD16200010 | Ceramic Cap., 20pF ±10% 50V |
| C412 | 1 | 1 | 1 | DD16200010 | Ceramic Cap., 20pF ±10% 50V |
| C413 | 1 | 1 | 1 | EE33505040 | Electrolytic Cap., 3.3μF ±20% 50V |
| C414 | 1 | 1 | 1 | EE33505040 | Electrolytic Cap., 3.3μF ±20% 50V |
| C415 | 1 | 1 | 1 | EE47505040 | Electrolytic Cap., 4.7μF ±20% 50V |
| C416 | 1 | 1 | 1 | EE47505040 | Electrolytic Cap., 4.7μF ±20% 50V |
| C417 | 1 | 1 | 1 | DD16101010 | Ceramic Cap., 100pF ±10% 50V |
| C418 | 1 | 1 | 1 | DD16101010 | Ceramic Cap., 100pF ±10% 50V |
| C419 | 1 | 1 | 1 | DF65391500 | Film Cap., 390pF ±5% 125V |
| C420 | 1 | 1 | 1 | DF65391500 | Film Cap., 390pF ±5% 125V |
| C421 | 1 | 1 | 1 | DF14122010 | Film Cap., 1200pF ±2% 50V |
| C422 | 1 | 1 | 1 | DF14122010 | Film Cap., 1200pF ±2% 50V |
| C423 | 1 | 1 | 1 | DF15562010 | Film Cap., 5600pF ±5% 50V |
| C424 | 1 | 1 | 1 | DF15562010 | Film Cap., 5600pF ±5% 50V |
| C425 | 1 | 1 | 1 | DD16101010 | Ceramic Cap., 100pF ±10% 50V |
| C426 | 1 | 1 | 1 | DD16101010 | Ceramic Cap., 100pF ±10% 50V |
| C427 | 1 | 1 | 1 | EA10710010 | Electrolytic Cap., 100μF 100V |
| J401 | 1 | 1 | 1 | YP06000400 | Plug |
| J402 | 1 | 1 | 1 | YP06000400 | Plug |
| P400 PHONO AMP. BOARD | | | | | |
| P400 | 1 | 1 | 1 | YG29630012 | P.W. Board |
| | 1 | 1 | 1 | ZZ29630010 | P.W. Board Assembly |
| P407 | 4 | 4 | 4 | 3444118050 | Spacer, for R435, R436 |
| Q401 | 1 | 1 | 1 | HT317751F0 | Transistor, 2SC1775A F |
| Q402 | 1 | 1 | 1 | HT317751F0 | Transistor, 2SC1775A F |
| Q403 | 1 | 1 | 1 | HT317751F0 | Transistor, 2SC1775A F |
| Q404 | 1 | 1 | 1 | HT317751F0 | Transistor, 2SC1775A F |
| Q405 | 1 | 1 | 1 | HT317751F0 | Transistor, 2SC1775A F |
| Q406 | 1 | 1 | 1 | HT317751F0 | Transistor, 2SC1775A F |
| R401 | 1 | 1 | 1 | RT05623140 | Resistor, 56kΩ ±5% ¼W |
| R402 | 1 | 1 | 1 | RT05623140 | Resistor, 56kΩ ±5% ¼W |
| R403 | 1 | 1 | 1 | RT05222140 | Resistor, 2.2kΩ ±5% ¼W |
| R404 | 1 | 1 | 1 | RT05222140 | Resistor, 2.2kΩ ±5% ¼W |
| R405 | 1 | 1 | 1 | RT05334140 | Resistor, 330kΩ ±5% ¼W |
| R406 | 1 | 1 | 1 | RT05334140 | Resistor, 330kΩ ±5% ¼W |
| R407 | 1 | 1 | 1 | RT05684140 | Resistor, 680kΩ ±5% ¼W |
| R408 | 1 | 1 | 1 | RT05684140 | Resistor, 680kΩ ±5% ¼W |
| R409 | 1 | 1 | 1 | RT05433140 | Resistor, 43kΩ ±5% ¼W |
| R410 | 1 | 1 | 1 | RT05433140 | Resistor, 43kΩ ±5% ¼W |
| R411 | 1 | 1 | 1 | RT02621140 | Resistor, 620Ω ±2% ¼W |
| R412 | 1 | 1 | 1 | RT02621140 | Resistor, 620Ω ±2% ¼W |
| R413 | 1 | 1 | 1 | RT05683140 | Resistor, 68kΩ ±5% ¼W |
| R414 | 1 | 1 | 1 | RT05683140 | Resistor, 68kΩ ±5% ¼W |
| R415 | 1 | 1 | 1 | RT05822140 | Resistor, 8.2kΩ ±5% ¼W |
| R416 | 1 | 1 | 1 | RT05822140 | Resistor, 8.2kΩ ±5% ¼W |
| R417 | 1 | 1 | 1 | RT05101140 | Resistor, 100Ω ±5% ¼W |
| R418 | 1 | 1 | 1 | RT05101140 | Resistor, 100Ω ±5% ¼W |
| R419 | 1 | 1 | 1 | RT05562140 | Resistor, 5.6kΩ ±5% ¼W |

- (U) for U.S.A.
- (C) for Canada
- (E) for Europe

| REF. DESIG. | Q'TY | | | PART NO. | DESCRIPTION | REF. DESIG. | Q'TY | | | PART NO. | DESCRIPTION |
|-------------|------|---|---|------------|------------------------------|-----------------------------|------|---|---|------------|-------------------------------|
| | U | C | E | | | | U | C | E | | |
| R420 | 1 | 1 | 1 | RT05562140 | Resistor, 5.6kΩ ±5% ¼W | J701 | 1 | 1 | 1 | YP06001040 | Plug, 3P |
| R421 | 1 | 1 | 1 | RT05224140 | Resistor, 220kΩ ±5% ¼W | J702 | 1 | 1 | 1 | YP06001040 | Plug, 3P |
| R422 | 1 | 1 | 1 | RT05224140 | Resistor, 220kΩ ±5% ¼W | J705 | 1 | 1 | 1 | YP06000540 | Plug, 6P (SMK) |
| R423 | 1 | 1 | 1 | RT02683140 | Resistor, 68kΩ ±2% ¼W | L701 | 1 | 1 | 1 | LL23915120 | Choke Coil |
| R424 | 1 | 1 | 1 | RT02683140 | Resistor, 68kΩ ±2% ¼W | L702 | 1 | 1 | 1 | LL23915120 | Choke Coil |
| R425 | 1 | 1 | 1 | RT02101140 | Resistor, 100Ω ±2% ¼W | P700 MAIN AMP. BOARD | | | | | |
| R426 | 1 | 1 | 1 | RT02101140 | Resistor, 100Ω ±2% ¼W | | | | | | |
| R427 | 1 | 1 | 1 | RT02473140 | Resistor, 47kΩ ±2% ¼W | | | | | | |
| R428 | 1 | 1 | 1 | RT02473140 | Resistor, 47kΩ ±2% ¼W | | | | | | |
| R429 | 1 | 1 | 1 | RT02824140 | Resistor, 820kΩ ±2% ¼W | | | | | | |
| R430 | 1 | 1 | 1 | RT02824140 | Resistor, 820kΩ ±2% ¼W | | | | | | |
| R431 | 1 | 1 | 1 | RT05225140 | Resistor, 2.2MΩ ±5% ¼W | | | | | | |
| R432 | 1 | 1 | 1 | RT05225140 | Resistor, 2.2MΩ ±5% ¼W | | | | | | |
| R433 | 1 | 1 | 1 | RT05271140 | Resistor, 270Ω ±5% ¼W | | | | | | |
| R434 | 1 | 1 | 1 | RT05271140 | Resistor, 270Ω ±5% ¼W | P700 | 1 | 1 | 1 | YG29640020 | P.W. Board |
| R435 | 1 | 1 | 1 | GF05101140 | Resistor, 100Ω ±5% ¼W | 1 | 1 | 1 | 1 | ZZ29631020 | P.W. Board Assembly |
| R436 | 1 | 1 | 1 | GF05332120 | Resistor, 3.3kΩ ±5% ¼W | Q701 | 1 | 1 | 1 | HC10003200 | IC, 2SK109 (C or D) |
| S401 | 1 | 1 | 1 | SR09070010 | Rotary Switch, Selector | Q702 | 1 | 1 | 1 | HC10003200 | IC, 2SK109 (C or D) |
| S402 | 1 | 1 | 1 | SR02030060 | Rotary Switch, Tape Monitor | Q703 | 1 | 1 | 1 | HT317752D0 | Transistor, 2SC1775A (D or E) |
| C701 | 1 | 1 | 1 | DF65101010 | Film Cap., 100pF ±5% 50V | Q704 | 1 | 1 | 1 | HT317752D0 | Transistor, 2SC1775A (D or E) |
| C702 | 1 | 1 | 1 | DF65101010 | Film Cap., 100pF ±5% 50V | Q705 | 1 | 1 | 1 | HT317752D0 | Transistor, 2SC1775A (D or E) |
| C703 | 1 | 1 | 1 | DF65162010 | Film Cap., 1600pF ±5% 50V | Q706 | 1 | 1 | 1 | HT317752D0 | Transistor, 2SC1775A (D or E) |
| C704 | 1 | 1 | 1 | DF65162010 | Film Cap., 1600pF ±5% 50V | Q707 | 1 | 1 | 1 | HT317752D0 | Transistor, 2SC1775A (D or E) |
| C705 | 1 | 1 | 1 | DF16473010 | Film Cap., 0.047μF ±10% 50V | Q708 | 1 | 1 | 1 | HT317752D0 | Transistor, 2SC1775A (D or E) |
| C706 | 1 | 1 | 1 | DF16473010 | Film Cap., 0.047μF ±10% 50V | Q709 | 1 | 1 | 1 | HT108722D0 | Transistor, 2SA872A (D or E) |
| C707 | 1 | 1 | 1 | EA22603590 | Electrolytic Cap., 22μF 35V | Q710 | 1 | 1 | 1 | HT108722D0 | Transistor, 2SA872A (D or E) |
| C708 | 1 | 1 | 1 | EA22603590 | Electrolytic Cap., 22μF 35V | Q711 | 1 | 1 | 1 | HT108722D0 | Transistor, 2SA872A (D or E) |
| C709 | 1 | 1 | 1 | DD15500500 | Ceramic Cap., 50pF ±5% 500V | Q712 | 1 | 1 | 1 | HT108722D0 | Transistor, 2SA872A (D or E) |
| C710 | 1 | 1 | 1 | DD15500500 | Ceramic Cap., 50pF ±5% 500V | Q713 | 1 | 1 | 1 | HT108722D0 | Transistor, 2SA872A (D or E) |
| C711 | 1 | 1 | 1 | DF17104540 | Film Cap., 0.1μF 100V | Q714 | 1 | 1 | 1 | HT108722D0 | Transistor, 2SA872A (D or E) |
| C712 | 1 | 1 | 1 | DF17104540 | Film Cap., 0.1μF 100V | Q715 | 1 | 1 | 1 | HT317752D0 | Transistor, 2SC1775A (D or E) |
| C713 | 1 | 1 | 1 | DF17104540 | Film Cap., 0.1μF 100V | Q716 | 1 | 1 | 1 | HT317752D0 | Transistor, 2SC1775A (D or E) |
| C714 | 1 | 1 | 1 | DF17104540 | Film Cap., 0.1μF 100V | Q717 | 1 | 1 | 1 | HT108722E0 | Transistor, 2SC872A (E or F) |
| C715 | 1 | 1 | 1 | EA22603590 | Electrolytic Cap., 22μF 100V | Q718 | 1 | 1 | 1 | HT108722E0 | Transistor, 2SC872A (E or F) |
| C716 | 1 | 1 | 1 | EA22603590 | Electrolytic Cap., 22μF 100V | Q719 | 1 | 1 | 1 | HT108722E0 | Transistor, 2SC872A (E or F) |
| C717 | 1 | 1 | 1 | DF65301510 | Film Cap., 300pF ±5% | Q720 | 1 | 1 | 1 | HT108722E0 | Transistor, 2SC872A (E or F) |
| C718 | 1 | 1 | 1 | DF65301510 | Film Cap., 300pF ±5% | Q721 | 1 | 1 | 1 | HT109142B0 | Transistor, 2SA914 (R or S) |
| C719 | 1 | 1 | 1 | DF65271510 | Film Cap., 270pF ±5% | Q722 | 1 | 1 | 1 | HT109142B0 | Transistor, 2SA914 (R or S) |
| C720 | 1 | 1 | 1 | DF65271510 | Film Cap., 270pF ±5% | Q723 | 1 | 1 | 1 | HT319532B0 | Transistor, 2SC1953 (R or S) |
| C721 | 1 | 1 | 1 | DF16473010 | Film Cap., 0.047μF ±10% 50V | Q724 | 1 | 1 | 1 | HT319532B0 | Transistor, 2SC1953 (R or S) |
| C722 | 1 | 1 | 1 | DF16473010 | Film Cap., 0.047μF ±10% 50V | Q725 | 1 | 1 | 1 | HT319132B0 | Transistor, 2SC1913 (R or S) |
| C723 | 1 | 1 | 1 | EA10605090 | Electrolytic Cap., 10μF 50V | Q726 | 1 | 1 | 1 | HT319132B0 | Transistor, 2SC1913 (R or S) |
| C724 | 1 | 1 | 1 | EA10605090 | Electrolytic Cap., 10μF 50V | Q727 | 1 | 1 | 1 | HT109132B0 | Transistor, 2SA913 (R or S) |
| C725 | 1 | 1 | 1 | DF17104540 | Film Cap., 0.1μF 100V | Q728 | 1 | 1 | 1 | HT109132B0 | Transistor, 2SA913 (R or S) |
| C726 | 1 | 1 | 1 | DF17104540 | Film Cap., 0.1μF 100V | Q729 | 1 | 1 | 1 | HD20011050 | Diode, 1S1555 |
| C727 | 1 | 1 | 1 | DF17104540 | Film Cap., 0.1μF 100V | Q730 | 1 | 1 | 1 | HD20011050 | Diode, 1S1555 |
| C728 | 1 | 1 | 1 | DF17104540 | Film Cap., 0.1μF 100V | Q731 | 1 | 1 | 1 | HD30046090 | Zener, WZ-310 |
| C729 | 1 | 1 | 1 | DF17104540 | Film Cap., 0.1μF 100V | Q732 | 1 | 1 | 1 | HD30046090 | Zener, WZ-310 |
| C730 | 1 | 1 | 1 | DF17104540 | Film Cap., 0.1μF 100V | Q733 | 1 | 1 | 1 | HD30046090 | Zener, WZ-310 |
| C731 | 1 | 1 | 1 | EA47606390 | Electrolytic Cap., 47μF 63V | Q734 | 1 | 1 | 1 | HD30046090 | Zener, WZ-310 |
| C732 | 1 | 1 | 1 | EA47606390 | Electrolytic Cap., 47μF 63V | Q735 | 1 | 1 | 1 | HD20011050 | Diode, 1S1555 |
| C733 | 1 | 1 | 1 | EA47606390 | Electrolytic Cap., 47μF 63V | Q736 | 1 | 1 | 1 | HD20011050 | Diode, 1S1555 |
| C734 | 1 | 1 | 1 | EA47606390 | Electrolytic Cap., 47μF 63V | Q737 | 1 | 1 | 1 | HD20003210 | Diode, 1S2471 |
| C735 | 1 | 1 | 1 | DF16104010 | Film Cap., 0.1μF 50V | Q738 | 1 | 1 | 1 | HD20003210 | Diode, 1S2471 |
| C736 | 1 | 1 | 1 | DF16104010 | Film Cap., 0.1μF 50V | Q739 | 1 | 1 | 1 | HD20003210 | Diode, 1S2471 (Black) |
| C737 | 1 | 1 | 1 | DF16104010 | Film Cap., 0.1μF 50V | Q740 | 1 | 1 | 1 | HD20003210 | Diode, 1S2471 |
| C738 | 1 | 1 | 1 | DF16104010 | Film Cap., 0.1μF 50V | Q741 | 1 | 1 | 1 | HV00004120 | Varistor, MV-1 |
| | | | | | | Q742 | 1 | 1 | 1 | HV00004120 | Varistor, MV-1 |
| | | | | | | Q743 | 1 | 1 | 1 | HV00004120 | Varistor, MV-1 |
| | | | | | | Q744 | 1 | 1 | 1 | HV00004120 | Varistor, MV-1 |
| | | | | | | Q745 | 1 | 1 | 1 | HH00007030 | Thermistor, SDT-100 |
| | | | | | | Q746 | 1 | 1 | 1 | HH00007030 | Thermistor, SDT-100 |
| | | | | | | Q747 | 1 | 1 | 1 | HH00007030 | Thermistor, SDT-100 |

- (U) for U.S.A.
- (C) for Canada
- (E) for Europe

| REF. DESIG. | Q'TY | | | PART NO. | DESCRIPTION |
|-------------|------|---|---|------------|-------------------------------|
| | U | C | E | | |
| Q748 | 1 | 1 | 1 | HH00007030 | Thermistor SDT-100 |
| Q749 | 1 | 1 | 1 | HD20005010 | Diode, W06B |
| Q750 | 1 | 1 | 1 | HD20005010 | Diode, W06B |
| Q751 | 1 | 1 | 1 | HD20005010 | Diode, W06B |
| Q752 | 1 | 1 | 1 | HD20005010 | Diode, W06B |
| Q753 | 1 | 1 | 1 | HD20003210 | Diode, 1S2471 |
| Q754 | 1 | 1 | 1 | HD20003210 | Diode, 1S2471 |
| R701 | 1 | 1 | 1 | GD05332140 | Resistor, 3.3kΩ ±5% ¼W |
| R702 | 1 | 1 | 1 | GD05332140 | Resistor, 3.3kΩ ±5% ¼W |
| R703 | 1 | 1 | 1 | GD05333140 | Resistor, 33kΩ ±5% ¼W |
| R704 | 1 | 1 | 1 | GD05333140 | Resistor, 33kΩ ±5% ¼W |
| R705 | 1 | 1 | 1 | GD05821140 | Resistor, 820Ω ±5% ¼W |
| R706 | 1 | 1 | 1 | GD05821140 | Resistor, 820Ω ±5% ¼W |
| R707 | 1 | 1 | 1 | GD05821140 | Resistor, 820Ω ±5% ¼W |
| R708 | 1 | 1 | 1 | GD05821140 | Resistor, 820Ω ±5% ¼W |
| R709 | 1 | 1 | 1 | GD05101140 | Resistor, 100Ω ±5% ¼W |
| R710 | 1 | 1 | 1 | GD05101140 | Resistor, 100Ω ±5% ¼W |
| R711 | 1 | 1 | 1 | GD05513140 | Resistor, 51kΩ ±5% ¼W |
| R712 | 1 | 1 | 1 | GD05513140 | Resistor, 51kΩ ±5% ¼W |
| R713 | 1 | 1 | 1 | GD05152140 | Resistor, 1.5kΩ ±5% ¼W |
| R714 | 1 | 1 | 1 | GD05152140 | Resistor, 1.5kΩ ±5% ¼W |
| R715 | 1 | 1 | 1 | GD05823140 | Resistor, 82kΩ ±5% ¼W |
| R716 | 1 | 1 | 1 | GD05823140 | Resistor, 82kΩ ±5% ¼W |
| R717 | 1 | 1 | 1 | GD05153140 | Resistor, 15kΩ ±5% ¼W |
| R718 | 1 | 1 | 1 | GD05153140 | Resistor, 15kΩ ±5% ¼W |
| R719 | 1 | 1 | 1 | GD05102140 | Resistor, 1kΩ ±5% ¼W |
| R720 | 1 | 1 | 1 | GD05102140 | Resistor, 1kΩ ±5% ¼W |
| R721 | 1 | 1 | 1 | GD05473140 | Resistor, 47kΩ ±5% ¼W |
| R722 | 1 | 1 | 1 | GD05473140 | Resistor, 47kΩ ±5% ¼W |
| R723 | 1 | 1 | 1 | GD05132140 | Resistor, 1.3kΩ ±5% ¼W |
| R724 | 1 | 1 | 1 | GD05132140 | Resistor, 1.3kΩ ±5% ¼W |
| R725 | 1 | 1 | 1 | GD05223140 | Resistor, 22kΩ ±5% ¼W |
| R726 | 1 | 1 | 1 | GD05223140 | Resistor, 22kΩ ±5% ¼W |
| R727 | 1 | 1 | 1 | GJ05222010 | Resistor, 2.2kΩ ±5% ¼W |
| R728 | 1 | 1 | 1 | GJ05222010 | Resistor, 2.2kΩ ±5% ¼W |
| R729 | 1 | 1 | 1 | GJ05152010 | Resistor, 1.5kΩ ±5% ¼W |
| R730 | 1 | 1 | 1 | GJ05152010 | Resistor, 1.5kΩ ±5% ¼W |
| R731 | 1 | 1 | 1 | GD05153140 | Resistor, 15kΩ ±5% ¼W |
| R732 | 1 | 1 | 1 | GD05153140 | Resistor, 15kΩ ±5% ¼W |
| R733 | 1 | 1 | 1 | GD05153140 | Resistor, 15kΩ ±5% ¼W |
| R734 | 1 | 1 | 1 | GD05153140 | Resistor, 15kΩ ±5% ¼W |
| R735 | 1 | 1 | 1 | GD05561140 | Resistor, 560Ω ±5% ¼W |
| R736 | 1 | 1 | 1 | GD05561140 | Resistor, 560Ω ±5% ¼W |
| R737 | 1 | 1 | 1 | GD05561140 | Resistor, 560Ω ±5% ¼W |
| R738 | 1 | 1 | 1 | GD05561140 | Resistor, 560Ω ±5% ¼W |
| R739 | 1 | 1 | 1 | RA02230050 | Trimming Resistor, 22kΩ CR29R |
| R740 | 1 | 1 | 1 | RA02230050 | Trimming Resistor, 22kΩ CR29R |
| R741 | 1 | 1 | 1 | GD05203140 | Resistor, 20kΩ ±5% ¼W |
| R742 | 1 | 1 | 1 | GD05203140 | Resistor, 20kΩ ±5% ¼W |
| R743 | 1 | 1 | 1 | GD05222140 | Resistor, 2.2kΩ ±5% ¼W |
| R744 | 1 | 1 | 1 | GD05222140 | Resistor, 2.2kΩ ±5% ¼W |
| R745 | 1 | 1 | 1 | GD05222140 | Resistor, 2.2kΩ ±5% ¼W |
| R746 | 1 | 1 | 1 | GD05222140 | Resistor, 2.2kΩ ±5% ¼W |
| R747 | 1 | 1 | 1 | GD05470140 | Resistor, 47Ω ±5% ¼W |
| R748 | 1 | 1 | 1 | GD05470140 | Resistor, 47Ω ±5% ¼W |
| R749 | 1 | 1 | 1 | GD05470140 | Resistor, 47Ω ±5% ¼W |
| R750 | 1 | 1 | 1 | GD05470140 | Resistor, 47Ω ±5% ¼W |

| REF. DESIG. | Q'TY | | | PART NO. | DESCRIPTION |
|-------------|------|---|---|------------|--------------------------------|
| | U | C | E | | |
| R751 | 1 | 1 | 1 | GD05680140 | Resistor, 68Ω ±5% ¼W |
| R752 | 1 | 1 | 1 | GD05680140 | Resistor, 68Ω ±5% ¼W |
| R753 | 1 | 1 | 1 | GD05470140 | Resistor, 47Ω ±5% ¼W |
| R754 | 1 | 1 | 1 | GD05470140 | Resistor, 47Ω ±5% ¼W |
| R755 | 1 | 1 | 1 | GD05470140 | Resistor, 47Ω ±5% ¼W |
| R756 | 1 | 1 | 1 | GD05470140 | Resistor, 47Ω ±5% ¼W |
| R757 | 1 | 1 | 1 | GD05273140 | Resistor, 27kΩ ±5% ¼W |
| R758 | 1 | 1 | 1 | GD05273140 | Resistor, 27kΩ ±5% ¼W |
| R759 | 1 | 1 | 1 | GF05100140 | Resistor, 10Ω ±5% ¼W |
| R760 | 1 | 1 | 1 | GF05100140 | Resistor, 10Ω ±5% ¼W |
| R761 | 1 | 1 | 1 | GF05100140 | Resistor, 10Ω ±5% ¼W |
| R762 | 1 | 1 | 1 | GF05100140 | Resistor, 10Ω ±5% ¼W |
| R763 | 1 | 1 | 1 | GD05100140 | Resistor, 10Ω ±5% ¼W |
| R764 | 1 | 1 | 1 | GD05100140 | Resistor, 10Ω ±5% ¼W |
| R765 | 1 | 1 | 1 | GD05100140 | Resistor, 10Ω ±5% ¼W |
| R766 | 1 | 1 | 1 | GD05100140 | Resistor, 10Ω ±5% ¼W |
| R767 | 1 | 1 | 1 | GJ05562010 | Resistor, 5.6kΩ ±5% 1W |
| R768 | 1 | 1 | 1 | GJ05562010 | Resistor, 5.6kΩ ±5% 1W |
| R769 | 1 | 1 | 1 | GJ05562010 | Resistor, 5.6kΩ ±5% 1W |
| R770 | 1 | 1 | 1 | GJ05562010 | Resistor, 5.6kΩ ±5% 1W |
| R771 | 1 | 1 | 1 | GD05101140 | Resistor, 100Ω ±5% ¼W |
| R772 | 1 | 1 | 1 | GD05101140 | Resistor, 100Ω ±5% ¼W |
| R773 | 1 | 1 | 1 | GD05101140 | Resistor, 100Ω ±5% ¼W |
| R774 | 1 | 1 | 1 | GD05101140 | Resistor, 100Ω ±5% ¼W |
| R775 | 1 | 1 | 1 | GF05330140 | Resistor, 33Ω ±5% ¼W |
| R776 | 1 | 1 | 1 | GF05330140 | Resistor, 33Ω ±5% ¼W |
| R777 | 1 | 1 | 1 | GF05330140 | Resistor, 33Ω ±5% ¼W |
| R778 | 1 | 1 | 1 | GF05330140 | Resistor, 33Ω ±5% ¼W |
| R779 | 1 | 1 | 1 | GF05240120 | Resistor, 24Ω ±5% ½W |
| R780 | 1 | 1 | 1 | GF05240120 | Resistor, 24Ω ±5% ½W |
| R781 | 1 | 1 | 1 | GF05240120 | Resistor, 24Ω ±5% ½W |
| R782 | 1 | 1 | 1 | GF05240120 | Resistor, 24Ω ±5% ½W |
| R783 | 1 | 1 | 1 | RT05033140 | Resistor, 3.3Ω ±5% ¼W |
| R784 | 1 | 1 | 1 | RT05033140 | Resistor, 3.3Ω ±5% ¼W |
| R785 | 1 | 1 | 1 | RT05033140 | Resistor, 3.3Ω ±5% ¼W |
| R786 | 1 | 1 | 1 | RT05033140 | Resistor, 3.3Ω ±5% ¼W |
| R787 | 1 | 1 | 1 | GW10332030 | Resistor, 0.33Ω ±10% 3W |
| R788 | 1 | 1 | 1 | GW10272030 | Resistor, 0.27Ω ±10% 3W |
| R789 | 1 | 1 | 1 | GW10332030 | Resistor, 0.33Ω ±10% 3W |
| R790 | 1 | 1 | 1 | GW10332030 | Resistor, 0.33Ω ±10% 3W |
| R791 | 1 | 1 | 1 | GW10332030 | Resistor, 0.33Ω ±10% 3W |
| R792 | 1 | 1 | 1 | GW10332030 | Resistor, 0.33Ω ±10% 3W |
| R793 | 1 | 1 | 1 | GW10332030 | Resistor, 0.33Ω ±10% 3W |
| R794 | 1 | 1 | 1 | GW10332030 | Resistor, 0.33Ω ±10% 3W |
| R795 | 1 | 1 | 1 | GJ05100030 | Resistor, 10Ω ±5% 3W |
| R796 | 1 | 1 | 1 | GJ05100030 | Resistor, 10Ω ±5% 3W |
| R797 | 1 | 1 | 1 | GJ05022020 | Resistor, 2.2Ω ±5% 2W |
| R798 | 1 | 1 | 1 | GJ05022020 | Resistor, 2.2Ω ±5% 2W |
| C851 | 1 | 1 | 1 | EB10905010 | Electrolytic Cap., 10000µF 50V |
| C852 | 1 | 1 | 1 | EB10905010 | Electrolytic Cap., 10000µF 50V |
| C853 | 1 | 1 | 1 | EB22716010 | Electrolytic Cap., 270µF 160V |
| C854 | 1 | 1 | 1 | EA10725090 | Electrolytic Cap., 100µF 25V |
| C855 | 1 | 1 | 1 | DK18103510 | Ceramic Cap., 0.01µF 500V |
| C856 | 1 | 1 | 1 | EA10610010 | Electrolytic Cap., 10µF 100V |
| C857 | 1 | 1 | 1 | EA47601690 | Electrolytic Cap., 47µF 16V |
| C858 | 1 | 1 | 1 | EA22701690 | Electrolytic Cap., 220µF 16V |
| C859 | 1 | 1 | 1 | EA22605090 | Electrolytic Cap., 22µF 50V |
| C861 | 1 | 1 | 1 | EA22605090 | Electrolytic Cap., 22µF 50V |
| C863 | 1 | 1 | 1 | EA10616010 | Electrolytic Cap., 10µF 160V |

- (U) for U.S.A.
- (C) for Canada
- (E) for Europe

| REF. DESIG. | Q'TY | | | PART NO. | DESCRIPTION |
|--------------------------------|------|---|---|------------|--------------------------------|
| | U | C | E | | |
| F851 | | | 1 | FS10025800 | Fuse, SEMKO (20mm Type) 250MAT |
| J868 | | | 1 | YJ08000200 | Jack, Fuse Socket |
| J869 | | | 1 | YJ08000200 | Jack, Fuse Socket |
| L851 | 1 | 1 | 1 | LY40240040 | Relay |
| P850 POWER SUPPLY BOARD | | | | | |
| P850 | 1 | 1 | 1 | YK29630210 | P.W. Board |
| | 1 | 1 | 1 | ZZ29630210 | P.W. Board Assembly |
| Q851 | 1 | 1 | 1 | HD20006290 | Diode, S5VB20 W/FIN |
| Q852 | 1 | 1 | 1 | HD20011010 | Diode, W06C |
| Q853 | 1 | 1 | 1 | HD20011010 | Diode, W06C |
| Q854 | 1 | 1 | 1 | HD20011010 | Diode, W06C |
| Q855 | 1 | 1 | 1 | HD20011050 | Diode, 1S1555 |
| Q856 | 1 | 1 | 1 | HT309452A0 | Transistor, 2SC945 (Q or R) |
| Q857 | 1 | 1 | 1 | HT309452A0 | Transistor, 2SC945 (Q or R) |
| Q858 | 1 | 1 | 1 | HT309452A0 | Transistor, 2SC945 (Q or R) |
| Q859 | 1 | 1 | 1 | HT319132B0 | Transistor, 2SC1913 (Q or R) |
| Q860 | 1 | 1 | 1 | HT317752E0 | Transistor, 2SC1775A (E or F) |
| Q861 | 1 | 1 | 1 | HD30039090 | Zener, WZ-240 |
| Q862 | 1 | 1 | 1 | HD20011050 | Diode, 1S1555 |
| Q863 | 1 | 1 | 1 | HD20011010 | Diode, W06C |
| R851 | 1 | 1 | 1 | GJ05101010 | Resistor, 100Ω ±5% 1W |
| R852 | 1 | 1 | 1 | RT05562140 | Resistor, 5.6kΩ ±5% ¼W |
| R853 | 1 | 1 | 1 | RT05562140 | Resistor, 5.6kΩ ±5% ¼W |
| R854 | 1 | 1 | 1 | RT05822140 | Resistor, 8.2kΩ ±5% ¼W |
| R855 | 1 | 1 | 1 | RT05563140 | Resistor, 56kΩ ±5% ¼W |
| R856 | 1 | 1 | 1 | RT05153140 | Resistor, 15kΩ ±5% ¼W |
| R857 | 1 | 1 | 1 | RT05203140 | Resistor, 20kΩ ±5% ¼W |
| R858 | 1 | 1 | 1 | RT05682140 | Resistor, 6.8kΩ ±5% ¼W |
| R859 | 1 | 1 | 1 | RT05243140 | Resistor, 24kΩ ±5% ¼W |
| R860 | 1 | 1 | 1 | RT05224140 | Resistor, 220kΩ ±5% ¼W |
| R861 | 1 | 1 | 1 | RT05104140 | Resistor, 100kΩ ±5% ¼W |
| R862 | 1 | 1 | 1 | GF05100140 | Resistor, 10Ω ±5% ¼W |
| R863 | 1 | 1 | 1 | GF05562120 | Resistor, 5.6kΩ ±5% ½W |
| R864 | 1 | 1 | 1 | GF05562120 | Resistor, 5.6kΩ ±5% ½W |
| R865 | 1 | 1 | 1 | RT05560140 | Resistor, 56Ω ±5% ¼W |
| R866 | 1 | 1 | 1 | GJ05562010 | Resistor, 5.6kΩ ±5% 1W |

12. TECHNICAL SPECIFICATIONS

FOR U.S.A. MODEL ONLY

AMPLIFIER SECTION:

RATED POWER OUTPUT, MINIMUM CONTINUOUS AVERAGE POWER PER CHANNEL, BOTH CHANNELS DRIVEN 61W
 POWER BAND 20Hz to 20kHz
 TOTAL HARMONIC DISTORTION 0.03%
 LOAD IMPEDANCE 8 OHMS
 RATED POWER OUTPUT, MINIMUM CONTINUOUS AVERAGE POWER PER CHANNEL, BOTH CHANNELS DRIVEN 77W
 POWER BAND 20Hz to 20kHz
 TOTAL HARMONIC DISTORTION 0.09%
 LOAD IMPEDANCE 4 OHMS

I.M. Distortion

(I.H.F. method, 60Hz and 7kHz mixed 4:1 at rated power output)
 at 8 ohm load impedance 0.03%
 at 4 ohm load impedance 0.09%
 Damping Factor (at 20Hz) 60
 Sensitivity (at MAIN IN) 1.5 V
 Impedance (at MAIN IN) 30k ohms
 Frequency Response for Power Amp Only (at 1 Watt output, 20Hz to 20kHz) ±0.2 dB
 S/N Ratio (MAIN IN, "A" WEIGHTED) 110 dB

PREAMPLIFIER SECTION:

Phono
 Input Overload at 1kHz 200 mV
 Equivalent Input Noise ("A" WEIGHTED) 0.48μV
 Dynamic Range (Dynamic Range is the ratio of input overload to equivalent input noise) 109 dB
 Input Sensitivity 1.8 mV
 Input Impedance 47k ohms
 Frequency Response, RIAA 20Hz to 20kHz ±0.3 dB
 Signal-to-Noise Ratio ("A" WEIGHTED) (at rated output and 7.75 mV input) 83 dB
 High Level (Aux and Tape) Input Sensitivity 180 mV

Input Impedance 20k ohms
 Frequency Response (includes power amp) 5Hz to 60kHz ±1.0 dB
 Signal-to-Noise Ratio ("A" WEIGHTED) (ref. to rated output and 775 mV input) 93 dB
 Output Levels
 Tape Out (ref. 7.75 mV at Phono inputs) 775 mV
 Pre-Out (ref. 180 mV at Aux inputs) 1.5 V
 (ref. 500 mV at Aux inputs, main amp disconnected) 4.2 V
 Output Impedance
 Tape Out 330 ohms
 Pre-Out 220 ohms

GENERAL:

Power Requirements 120V AC, 60Hz
 Power Consumption at rated output, both channels operating 250 Watts
 Idling Power (Volume Control at zero) 50 Watts
 Dimensions:
 Panel Width 416 mm (16-3/8")
 Panel Height 146 mm (5-3/4")
 Depth 312 mm (12-3/8")
 Weight:
 Unit alone 12.5 kg (27.5 lbs)
 Packed for Shipment 14.5 kg (31.9 lbs)

FOR EUROPEAN MODEL ONLY

AUDIO SECTION

| | |
|---|---------------|
| POWER OUTPUT AT 1% DISTORTION | 120 W |
| RATED POWER OUTPUT, 1kHz | 76 W |
| TOTAL HARMONIC DISTORTION AT RATED POWER OUTPUT, 1kHz | 0.09% |
| I.M. DISTORTION AT RATED POWER OUTPUT (I.H.F. METHOD, 300 Hz AND 10 kHz MIXED 4:1 AT RATED POWER OUTPUT) | 0.09% |
| POWER BANDWIDTH, ½ RATED POWER OUTPUT | 7 Hz ~ 70 kHz |
| LOAD IMPEDANCE | 4 OHMS |
| POWER OUTPUT AT 1% DISTORTION | 75 W |
| RATED POWER OUTPUT, 1 kHz | 61 W |
| TOTAL HARMONIC DISTORTION AT RATED POWER OUTPUT, 1 kHz | 0.03% |
| I.M. DISTORTION AT RATED POWER OUTPUT (I.H.F. METHOD, 300 Hz AND 10 kHz MIXED 4:1 AT RATED POWER OUTPUT) | 0.03% |
| POWER BANDWIDTH, ½ RATED POWER OUTPUT | 7 Hz ~ 70 kHz |
| LOAD IMPEDANCE | 8 OHMS |

| | |
|--|-----------|
| Damping Factor, SP Output | |
| 40 Hz | 60 |
| 1 kHz | 50 |
| 12.5 kHz | 45 |
| Frequency Response | |
| Phono ± 2 dB | ±0.5 dB |
| Aux ±1.5 dB | ±0.5 dB |
| Main In ±1.5 dB | ±0.2 dB |
| Signal-to-Noise Ratio, 1 kHz | |
| Phono | 56 dB |
| Aux | 91 dB |
| Main In | 58 dB |
| Input Sensitivity, 1 kHz (Rated Input Voltage) | |
| Phono | 1.8 mV |
| Aux | 180 mV |
| Main In | 1.5 V |
| Input Impedance, 1 kHz | |
| Phono | 47 k ohms |
| Aux | 20 k ohms |
| Main In | 36 k ohms |
| Phono Equivalent Input Noise | 1.5 µV |
| Phono Dynamic Range | 102 dB |
| Phono Input Capacitance | 100 pF |
| Channel Balance | |
| Phono 0 ~ -40 dB | 2.5 dB |
| Aux 40 Hz ~ 16 kHz | 2.0 dB |
| Main In | 1.0 dB |
| Interchannel Crosstalk | |
| Phono 1 kHz | 43 dB |
| 250 Hz ~ 10 kHz | 40 dB |
| Aux 1 kHz | 45 dB |
| 250 Hz ~ 10 kHz | 33 dB |
| Tape 1 kHz | 45 dB |
| 250 Hz ~ 10 kHz | 33 dB |

| | |
|------------------------------------|----------|
| Main In 1 kHz | 55 dB |
| 250 Hz ~ 10 kHz | 50 dB |
| Intersource Crosstalk, Worst Point | |
| 1 kHz | 45 dB |
| 250 Hz ~ 10 kHz | 33 dB |
| Output Voltage, 1 kHz | |
| Tape Out | 0.18 V |
| Pre Out | 1.5 V |
| Output Impedance, 1 kHz | |
| Tape Out | 330 ohms |
| Pre Out | 220 ohms |
| Power Consumption | |
| Idling | 50 W |
| Rated Power, 1 kHz | 250 W |

GENERAL:

| | |
|--|------------------------|
| Power Requirements | 220 V ~, 50 Hz |
| (E and N versions are featuring an external voltage selector for use on 110/120/240 V. Other versions can be converted by a qualified technician to operate on 110/120/240 V.) | |
| Power Consumption at rated output, both channels operating | 250 W ±50 W |
| Idling Power | 50 W ±20 W |
| Semiconductor Complement | |
| Transistors | 60 |
| Diodes | 39 |
| Field Effect Transistors | 4 |
| Dimensions | |
| Panel Width | 416 mm (16-3/8 inches) |
| Panel Height | 146 mm (5-3/4 inches) |
| Depth | 316 mm (12-3/8 inches) |
| Weight | |
| Unit Alone | 12.5 kg (27.5 lbs) |
| Packed for Shipment | 14.5 kg (31.9 lbs) |